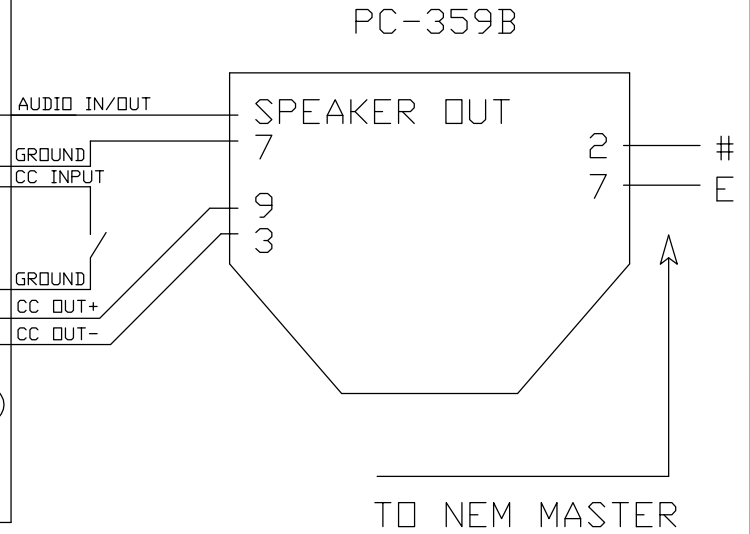
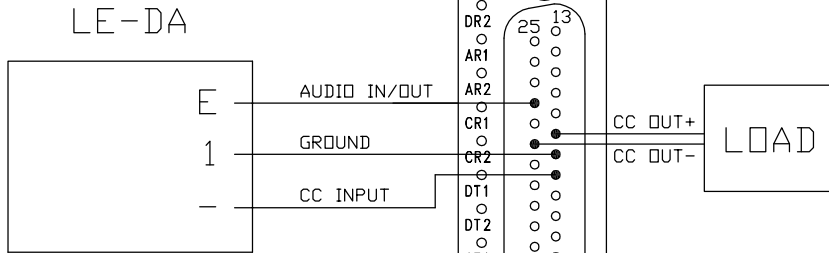
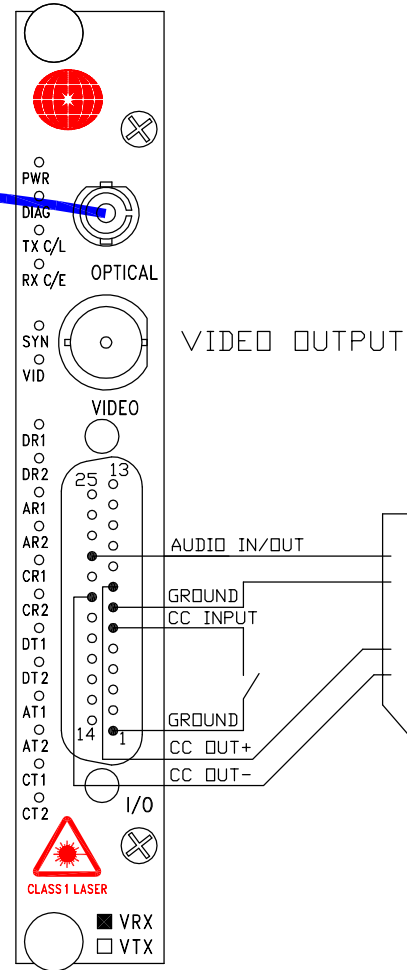
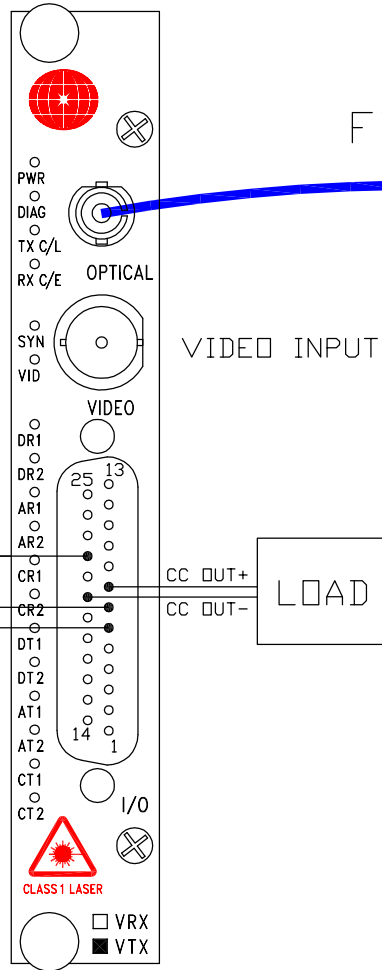


ST-1W1B1C/1B1C-X

PINOUT DIAGRAM

SR-1W1B1C/1B1C-X

PINOUT DIAGRAM



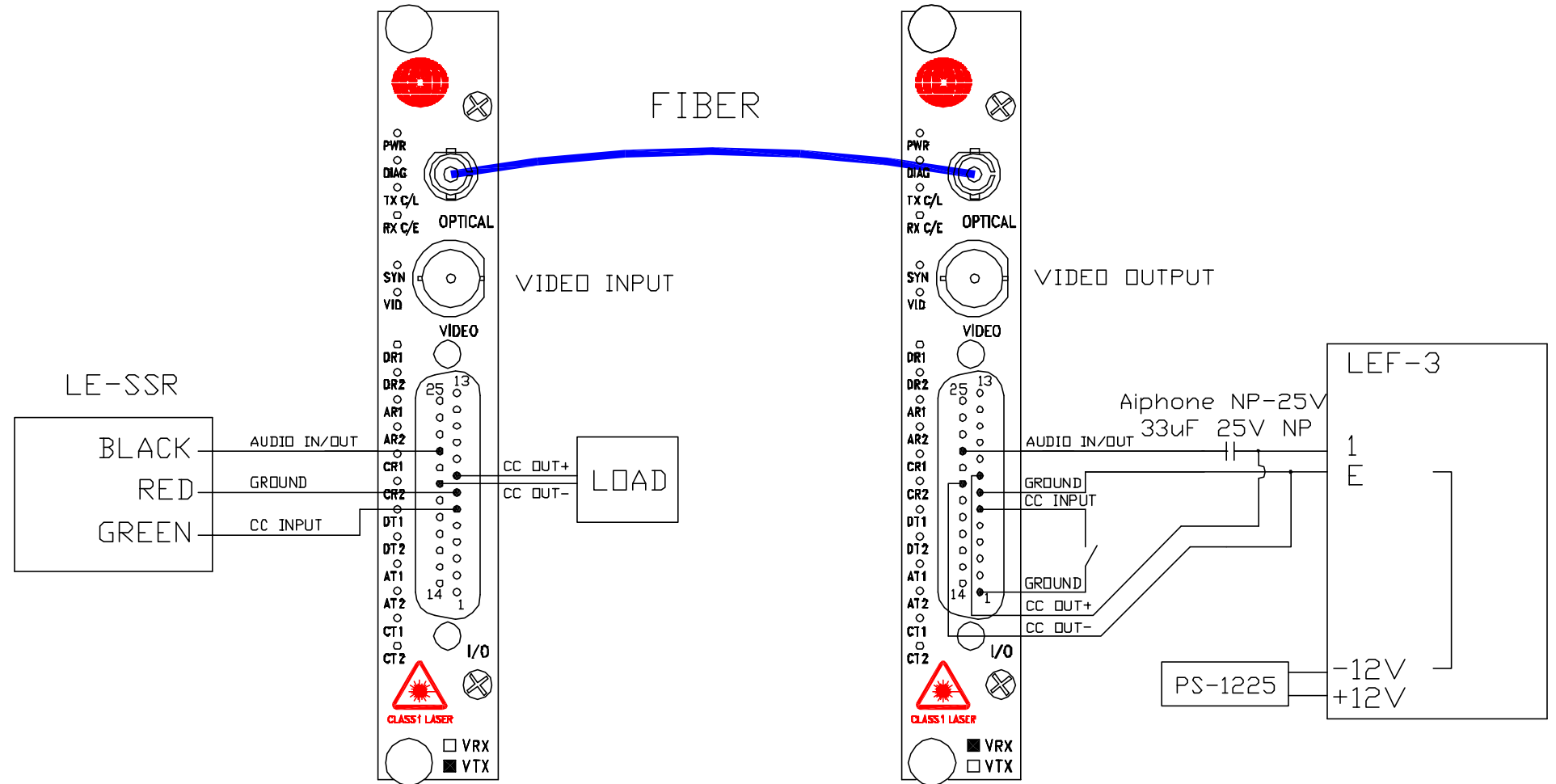
AIPHONE

ST-1W1B1C/1B1C-X

SR-1W1B1C/1B1C-X

CONNECTION DIAGRAM TO LE-SSR

CONNECTION DIAGRAM TO LEF MASTER



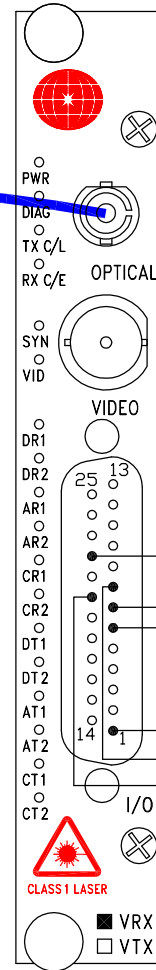
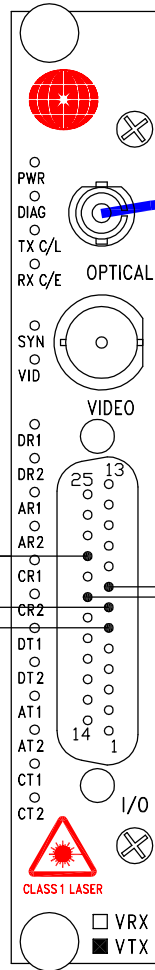
AIPHONE

ST-1W1B1C/1B1C-X

SR-1W1B1C/1B1C-X

PINOUT DIAGRAM

PINOUT DIAGRAM



FIBER

VIDEO INPUT

VIDEO OUTPUT

LE-DA

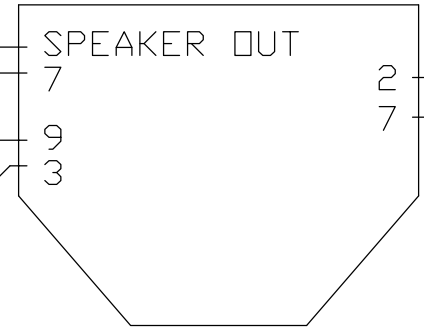


AUDIO IN/OUT
GROUND
CC INPUT

CC OUT+
CC OUT-



PC-359B



AUDIO IN/OUT
GROUND
CC INPUT
GROUND
CC OUT+
CC OUT-

TO NEM MASTER

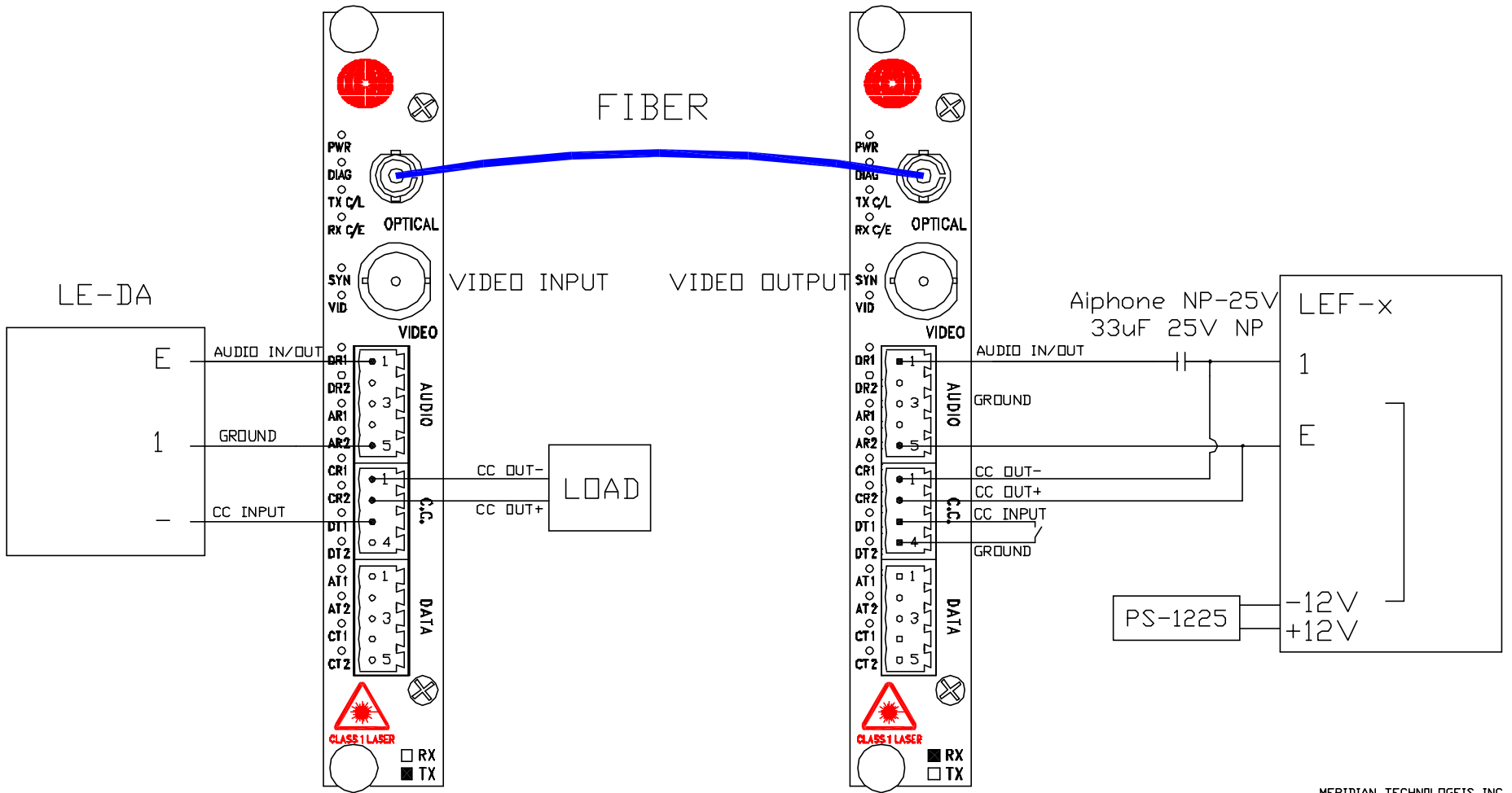
AIPHONE

ST-1W1B1C/1B1C-XS

CONNECTION DIAGRAM TO LE-DA

SR-1W1B1C/1B1C-XS

CONNECTION DIAGRAM TO LEF MASTER



AIPHONE