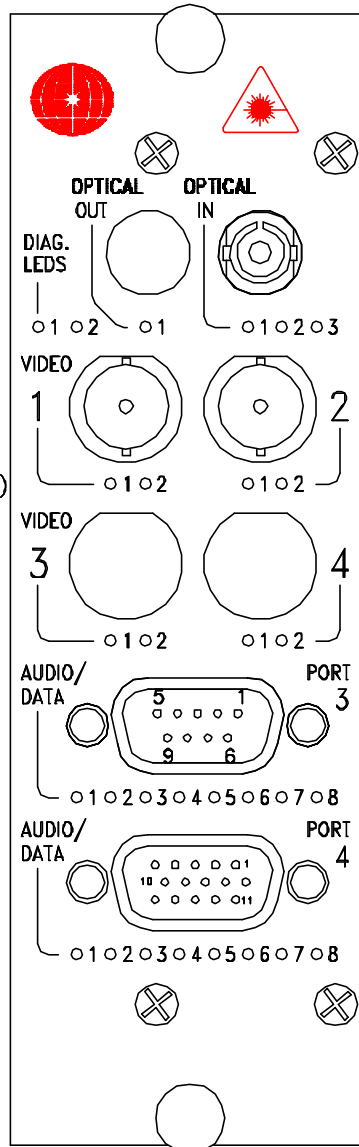


DT-2V\*2A4C/2A4C-X

DT-2W\*2A4C/2A4C-X

## PINOUT DIAGRAM

- STATUS INDICATORS**
1. POWER (GREEN)
  2. NA
- STATUS INDICATORS**
1. TX CARRIER (GREEN)/ERROR (RED)
- VIDEO INPUT (CH.1)**
- STATUS INDICATORS**
1. SYNC PRESENT (GREEN)
  2. VIDEO PRESENT (GREEN)/OVERLOAD (RED)
- AUDIO IN/OUT (PORT 3)**  
(DB-9 FEMALE)
1. (CH.1) OUTPUT-
  2. (CH.1) OUTPUT+
  3. (CH.2) OUTPUT-
  4. (CH.2) OUTPUT+
  5. GND
  6. (CH.1) INPUT-
  7. (CH.1) INPUT+
  8. (CH.2) INPUT-
  9. (CH.2) INPUT+
- DATA IN/OUT (PORT 4)**  
(DB-15 FEMALE)
1. (CH.1) INPUT
  2. (CH.2) INPUT
  3. (CH.3) INPUT
  4. (CH.4) INPUT
  5. GND
  6. (CH.1) OUTPUT
  7. (CH.1) OUTPUT
  8. (CH.2) OUTPUT
  9. (CH.2) OUTPUT
  10. (CH.3) OUTPUT
  11. (CH.3) OUTPUT
  12. (CH.4) OUTPUT
  13. (CH.4) OUTPUT
  14. NA
  15. NA



### OPTICAL PORT STATUS INDICATORS

1. NA
2. RX OPTICAL SIGNAL (GREEN)/ABSENT (RED)
3. RX CARRIER (GREEN)/ERROR (RED)

### VIDEO INPUT (CH.2) STATUS INDICATORS

1. SYNC PRESENT (GREEN)
2. VIDEO PRESENT (GREEN)/OVERLOAD (RED)

### STATUS INDICATORS (PORT 3)

1. (CH.1) AUDIO INPUT PRESENT
2. (CH.1) AUDIO INPUT OVERLOAD
3. (CH.2) AUDIO INPUT PRESENT
4. (CH.2) AUDIO INPUT OVERLOAD
5. (CH.1) AUDIO OUTPUT PRESENT
6. (CH.1) AUDIO OUTPUT OVERLOAD
7. (CH.2) AUDIO OUTPUT PRESENT
8. (CH.2) AUDIO OUTPUT OVERLOAD

### STATUS INDICATORS (PORT 4)

1. (CH.1) INPUT PRESENT
2. (CH.1) OUTPUT PRESENT
3. (CH.2) INPUT PRESENT
4. (CH.2) OUTPUT PRESENT
5. (CH.3) INPUT PRESENT
6. (CH.3) OUTPUT PRESENT
7. (CH.4) INPUT PRESENT
8. (CH.4) OUTPUT PRESENT

\*V-8 BIT VIDEO  
\*W-10 BIT VIDEO

DR-2V\*2A4C/2A4C-X

DR-2W\*2A4C/2A4C-X

PINOUT DIAGRAM

STATUS INDICATORS

- 1. POWER (GREEN)
- 2. NA

STATUS INDICATORS

- 1. TX CARRIER (GREEN)/ERROR (RED)

VIDEO OUTPUT (CH.1)

STATUS INDICATORS

- 1. SYNC PRESENT (GREEN)
- 2. VIDEO PRESENT (GREEN)/OVERLOAD (RED)

AUDIO IN/OUT (PORT 3)

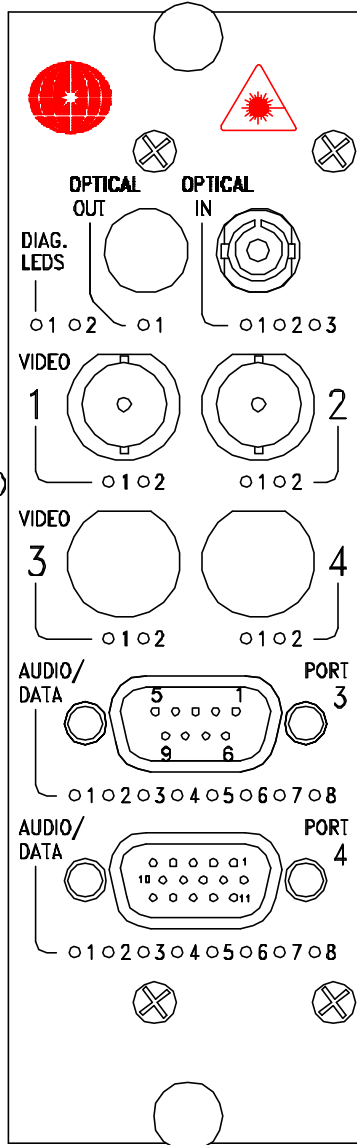
(DB-9 FEMALE)

- 1. (CH.1) OUTPUT-
- 2. (CH.1) OUTPUT+
- 3. (CH.2) OUTPUT-
- 4. (CH.2) OUTPUT+
- 5. GND
- 6. (CH.1) INPUT-
- 7. (CH.1) INPUT+
- 8. (CH.2) INPUT-
- 9. (CH.2) INPUT+

DATA IN/OUT (PORT 4)

(DB-15 FEMALE)

- 1. (CH.1) INPUT
- 2. (CH.2) INPUT
- 3. (CH.3) INPUT
- 4. (CH.4) INPUT
- 5. GND
- 6. (CH.1) OUTPUT
- 7. (CH.1) OUTPUT
- 8. (CH.2) OUTPUT
- 9. (CH.2) OUTPUT
- 10. (CH.3) OUTPUT
- 11. (CH.3) OUTPUT
- 12. (CH.4) OUTPUT
- 13. (CH.4) OUTPUT
- 14. NA
- 15. NA



OPTICAL PORT

STATUS INDICATORS

- 1. NA
- 2. RX OPTICAL SIGNAL (GREEN)/ABSENT (RED)
- 3. RX CARRIER (GREEN)/ERROR (RED)

VIDEO OUTPUT (CH.2)

STATUS INDICATORS

- 1. SYNC PRESENT (GREEN)
- 2. VIDEO PRESENT (GREEN)/OVERLOAD (RED)

STATUS INDICATORS (PORT 3)

- 1. (CH.1) AUDIO INPUT PRESENT
- 2. (CH.1) AUDIO INPUT OVERLOAD
- 3. (CH.2) AUDIO INPUT PRESENT
- 4. (CH.2) AUDIO INPUT OVERLOAD
- 5. (CH.1) AUDIO OUTPUT PRESENT
- 6. (CH.1) AUDIO OUTPUT OVERLOAD
- 7. (CH.2) AUDIO OUTPUT PRESENT
- 8. (CH.2) AUDIO OUTPUT OVERLOAD

STATUS INDICATORS (PORT 4)

- 1. (CH.1) INPUT PRESENT
- 2. (CH.1) OUTPUT PRESENT
- 3. (CH.2) INPUT PRESENT
- 4. (CH.2) OUTPUT PRESENT
- 5. (CH.3) INPUT PRESENT
- 6. (CH.3) OUTPUT PRESENT
- 7. (CH.4) INPUT PRESENT
- 8. (CH.4) OUTPUT PRESENT

\*V-8 BIT VIDEO

\*W-10 BIT VIDEO