

DXA-2V*4A/2V*4A-X

PINOUT DIAGRAM

STATUS INDICATORS

1. TX CARRIER (GREEN)/ERROR (RED)

STATUS INDICATORS

1. POWER (GREEN)
2. NA

VIDEO INPUT (CH.1)

STATUS INDICATORS

1. SYNC PRESENT (GREEN)
2. VIDEO PRESENT (GREEN)/OVERLOAD (RED)

VIDEO OUTPUT (CH.3)

STATUS INDICATORS

1. SYNC PRESENT (GREEN)
2. VIDEO PRESENT (GREEN)/OVERLOAD (RED)

AUDIO INPUT (PORT 3)

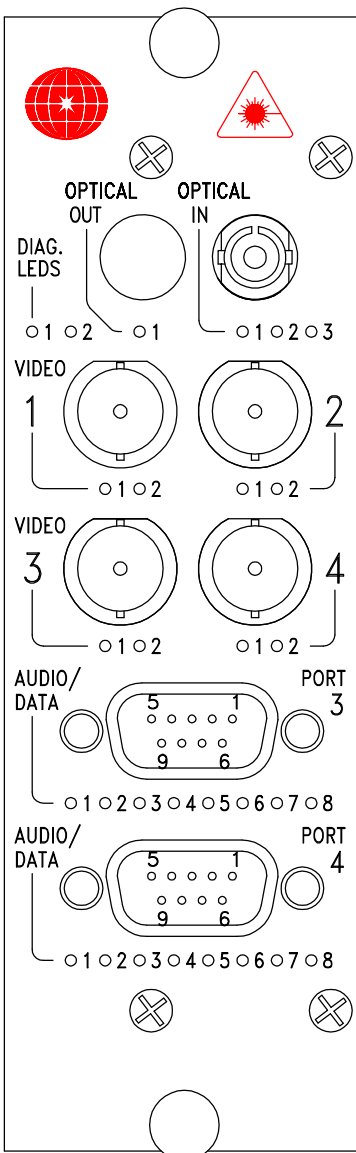
(DB-9 FEMALE)

1. (CH.1) INPUT-
2. (CH.1) INPUT+
3. (CH.2) INPUT-
4. (CH.2) INPUT+
5. GND
6. (CH.3) INPUT-
7. (CH.3) INPUT+
8. (CH.4) INPUT-
9. (CH.4) INPUT+

AUDIO OUTPUT (PORT 4)

(DB-9 FEMALE)

1. (CH.1) OUTPUT-
2. (CH.1) OUTPUT+
3. (CH.2) OUTPUT-
4. (CH.2) OUTPUT+
5. GND
6. (CH.3) OUTPUT-
7. (CH.3) OUTPUT+
8. (CH.4) OUTPUT-
9. (CH.4) OUTPUT+



OPTICAL PORT

STATUS INDICATORS

1. NA
2. RX OPTICAL SIGNAL (GREEN)/ABSENT (RED)
3. RX CARRIER (GREEN)/ERROR (RED)

VIDEO INPUT (CH.2)

STATUS INDICATORS

1. SYNC PRESENT (GREEN)
2. VIDEO PRESENT (GREEN)/OVERLOAD (RED)

VIDEO OUTPUT (CH.4)

STATUS INDICATORS

1. SYNC PRESENT (GREEN)
2. VIDEO PRESENT (GREEN)/OVERLOAD (RED)

STATUS INDICATORS (PORT 3)

1. (CH.1) AUDIO INPUT PRESENT
2. (CH.1) AUDIO INPUT OVERLOAD
3. (CH.2) AUDIO INPUT PRESENT
4. (CH.2) AUDIO INPUT OVERLOAD
5. (CH.3) AUDIO INPUT PRESENT
6. (CH.3) AUDIO INPUT OVERLOAD
7. (CH.4) AUDIO INPUT PRESENT
8. (CH.4) AUDIO INPUT OVERLOAD

STATUS INDICATORS (PORT 4)

1. (CH.1) AUDIO OUTPUT PRESENT
2. (CH.1) AUDIO OUTPUT OVERLOAD
3. (CH.2) AUDIO OUTPUT PRESENT
4. (CH.2) AUDIO OUTPUT OVERLOAD
5. (CH.3) AUDIO OUTPUT PRESENT
6. (CH.3) AUDIO OUTPUT OVERLOAD
7. (CH.4) AUDIO OUTPUT PRESENT
8. (CH.4) AUDIO OUTPUT OVERLOAD

*U-10MHz, 10 BIT VIDEO

*V-8 BIT VIDEO

*W-10 BIT VIDEO

DXB-2V*4A/2V*4A-X

PINOUT DIAGRAM

STATUS INDICATORS

1. POWER (GREEN)
2. NA

STATUS INDICATORS

1. TX CARRIER (GREEN)/ERROR (RED)

VIDEO OUTPUT (CH.1)

STATUS INDICATORS

1. SYNC PRESENT (GREEN)
2. VIDEO PRESENT (GREEN)/OVERLOAD (RED)

VIDEO INPUT (CH.3)

STATUS INDICATORS

1. SYNC PRESENT (GREEN)
2. VIDEO PRESENT (GREEN)/OVERLOAD (RED)

AUDIO OUTPUT (PORT 3)

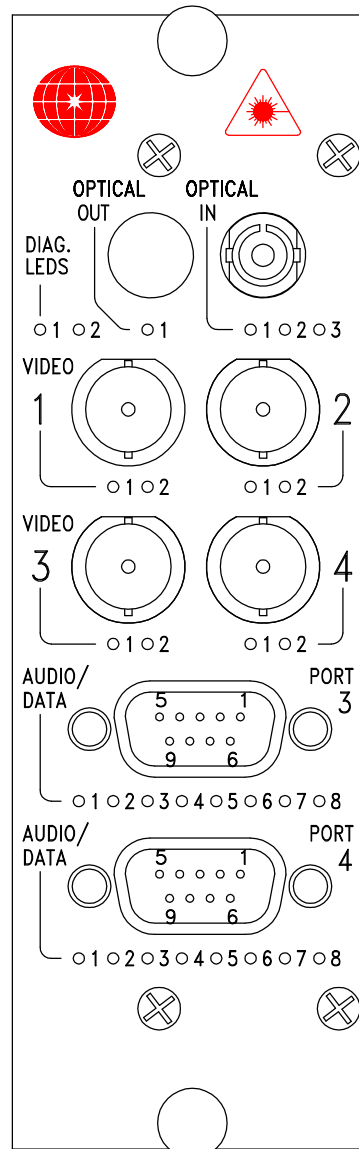
(DB-9 FEMALE)

1. (CH.1) OUTPUT-
2. (CH.1) OUTPUT+
3. (CH.2) OUTPUT-
4. (CH.2) OUTPUT+
5. GND
6. (CH.3) OUTPUT-
7. (CH.3) OUTPUT+
8. (CH.4) OUTPUT-
9. (CH.4) OUTPUT+

AUDIO INPUT (PORT 4)

(DB-9 FEMALE)

1. (CH.1) INPUT-
2. (CH.1) INPUT+
3. (CH.2) INPUT-
4. (CH.2) INPUT+
5. GND
6. (CH.3) INPUT-
7. (CH.3) INPUT+
8. (CH.4) INPUT-
9. (CH.4) INPUT+



OPTICAL PORT STATUS INDICATORS

1. NA
2. RX OPTICAL SIGNAL (GREEN)/ABSENT (RED)
3. RX CARRIER (GREEN)/ERROR (RED)

VIDEO OUTPUT (CH.2)

STATUS INDICATORS

1. SYNC PRESENT (GREEN)
2. VIDEO PRESENT (GREEN)/OVERLOAD (RED)

VIDEO INPUT (CH.4)

STATUS INDICATORS

1. SYNC PRESENT (GREEN)
2. VIDEO PRESENT (GREEN)/OVERLOAD (RED)

STATUS INDICATORS (PORT 3)

1. (CH.1) AUDIO OUTPUT PRESENT
2. (CH.1) AUDIO OUTPUT OVERLOAD
3. (CH.2) AUDIO OUTPUT PRESENT
4. (CH.2) AUDIO OUTPUT OVERLOAD
5. (CH.3) AUDIO OUTPUT PRESENT
6. (CH.3) AUDIO OUTPUT OVERLOAD
7. (CH.4) AUDIO OUTPUT PRESENT
8. (CH.4) AUDIO OUTPUT OVERLOAD

STATUS INDICATORS (PORT 4)

1. (CH.1) AUDIO INPUT PRESENT
2. (CH.1) AUDIO INPUT OVERLOAD
3. (CH.2) AUDIO INPUT PRESENT
4. (CH.2) AUDIO INPUT OVERLOAD
5. (CH.3) AUDIO INPUT PRESENT
6. (CH.3) AUDIO INPUT OVERLOAD
7. (CH.4) AUDIO INPUT PRESENT
8. (CH.4) AUDIO INPUT OVERLOAD

*U-10MHz, 10 BIT VIDEO

*V-8 BIT VIDEO

*W-10 BIT VIDEO