

# DXA-2V(W)2A2D/2V(W)2A2D-X

## PINOUT DIAGRAM

### STATUS INDICATORS

1. POWER (GREEN)
2. NA

### STATUS INDICATORS

1. TX CARRIER (GREEN)/ERROR (RED)

### VIDEO INPUT (CH.1)

#### STATUS INDICATORS

1. SYNC PRESENT (GREEN)
2. VIDEO PRESENT (GREEN)/OVERLOAD (RED)

### VIDEO OUTPUT (CH.3)

#### STATUS INDICATORS

1. SYNC PRESENT (GREEN)
2. VIDEO PRESENT (GREEN)/OVERLOAD (RED)

### AUDIO IN/OUT (PORT 3)

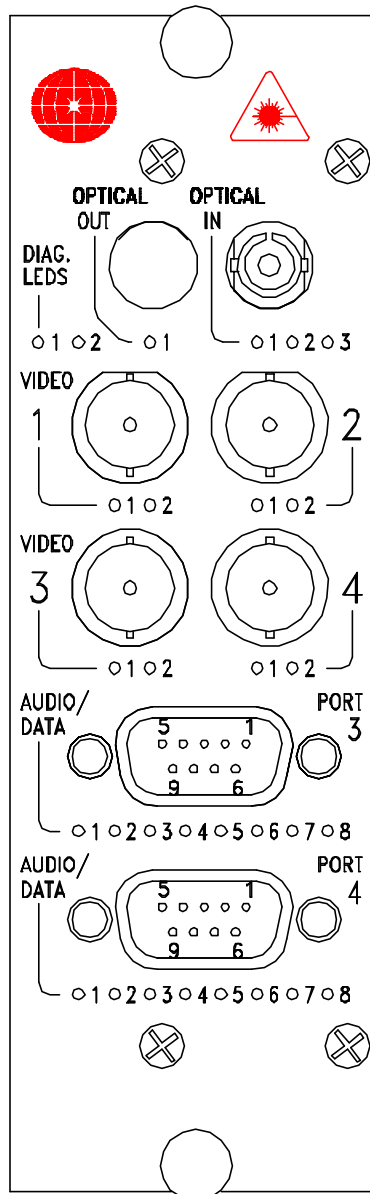
#### (DB-9 FEMALE)

1. (CH.1) OUTPUT-
2. (CH.1) OUTPUT+
3. (CH.2) OUTPUT-
4. (CH.2) OUTPUT+
5. GND
6. (CH.1) INPUT-
7. (CH.1) INPUT+
8. (CH.2) INPUT-
9. (CH.2) INPUT+

### DATA RS232 IN/OUT (PORT 4)

#### (DB-9 FEMALE)

1. NA
2. (CH.1) OUTPUT (TD)
3. (CH.1) INPUT (RD)
4. (CH.2) INPUT (DTR)
5. GND
6. (CH.2) OUTPUT (DSR)
7. NA
8. NA
9. NA



### OPTICAL PORT STATUS INDICATORS

1. NA
2. RX OPTICAL SIGNAL (GREEN)/ABSENT (RED)
3. RX CARRIER (GREEN)/ERROR (RED)

### VIDEO INPUT (CH.2)

#### STATUS INDICATORS

1. SYNC PRESENT (GREEN)
2. VIDEO PRESENT (GREEN)/OVERLOAD (RED)

### VIDEO OUTPUT (CH.4)

#### STATUS INDICATORS

1. SYNC PRESENT (GREEN)
2. VIDEO PRESENT (GREEN)/OVERLOAD (RED)

### STATUS INDICATORS (PORT 3)

1. (CH.1) AUDIO INPUT PRESENT
2. (CH.1) AUDIO INPUT OVERLOAD
3. (CH.2) AUDIO INPUT PRESENT
4. (CH.2) AUDIO INPUT OVERLOAD
5. (CH.1) AUDIO OUTPUT PRESENT
6. (CH.1) AUDIO OUTPUT OVERLOAD
7. (CH.2) AUDIO OUTPUT PRESENT
8. (CH.2) AUDIO OUTPUT OVERLOAD

### STATUS INDICATORS (PORT 4)

1. (CH.1) DATA INPUT
2. (CH.1) DATA OUTPUT
3. (CH.2) DATA INPUT
4. (CH.2) DATA OUTPUT
5. NA
6. NA
7. NA
8. NA

\*V-8 BIT VIDEO  
\*W-10 BIT VIDEO

# DXB-2V(W)2A2D/2V(W)2A2D-X

## PINOUT DIAGRAM

### STATUS INDICATORS

1. POWER (GREEN)
2. NA

### STATUS INDICATORS

1. TX CARRIER (GREEN)/ERROR (RED)

### VIDEO OUTPUT (CH.1)

#### STATUS INDICATORS

1. SYNC PRESENT (GREEN)
2. VIDEO PRESENT (GREEN)/OVERLOAD (RED)

### VIDEO INPUT (CH.3)

#### STATUS INDICATORS

1. SYNC PRESENT (GREEN)
2. VIDEO PRESENT (GREEN)/OVERLOAD (RED)

### AUDIO IN/OUT (PORT 3)

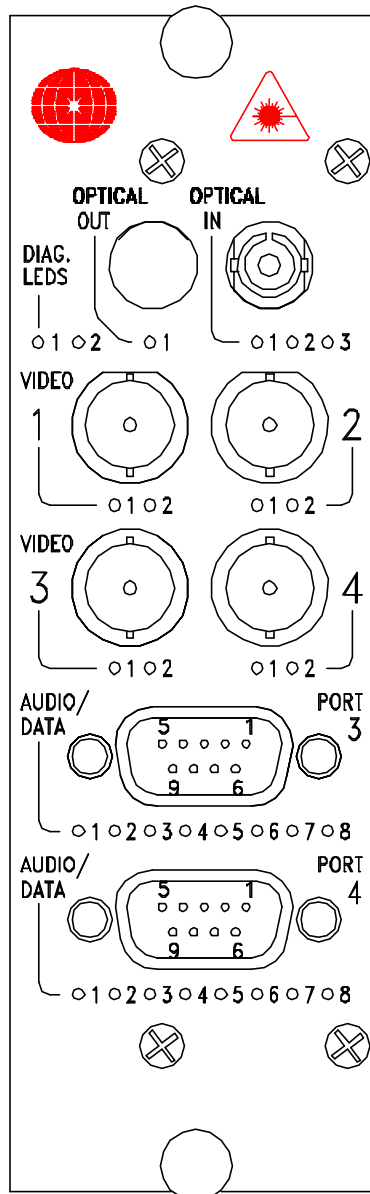
#### (DB-9 FEMALE)

1. (CH.1) OUTPUT-
2. (CH.1) OUTPUT+
3. (CH.2) OUTPUT-
4. (CH.2) OUTPUT+
5. GND
6. (CH.1) INPUT-
7. (CH.1) INPUT+
8. (CH.2) INPUT-
9. (CH.2) INPUT+

### DATA RS232 IN/OUT (PORT 4)

#### (DB-9 FEMALE)

1. NA
2. (CH.1) OUTPUT (TD)
3. (CH.1) INPUT (RD)
4. (CH.2) INPUT (DTR)
5. GND
6. (CH.2) OUTPUT (DSR)
7. NA
8. NA
9. NA



### OPTICAL PORT STATUS INDICATORS

1. NA
2. RX OPTICAL SIGNAL (GREEN)/ABSENT (RED)
3. RX CARRIER (GREEN)/ERROR (RED)

### VIDEO OUTPUT (CH.2)

#### STATUS INDICATORS

1. SYNC PRESENT (GREEN)
2. VIDEO PRESENT (GREEN)/OVERLOAD (RED)

### VIDEO INPUT (CH.4)

#### STATUS INDICATORS

1. SYNC PRESENT (GREEN)
2. VIDEO PRESENT (GREEN)/OVERLOAD (RED)

### STATUS INDICATORS (PORT 3)

1. (CH.1) AUDIO INPUT PRESENT
2. (CH.1) AUDIO INPUT OVERLOAD
3. (CH.2) AUDIO INPUT PRESENT
4. (CH.2) AUDIO INPUT OVERLOAD
5. (CH.1) AUDIO OUTPUT PRESENT
6. (CH.1) AUDIO OUTPUT OVERLOAD
7. (CH.2) AUDIO OUTPUT PRESENT
8. (CH.2) AUDIO OUTPUT OVERLOAD

### STATUS INDICATORS (PORT 4)

1. (CH.1) DATA INPUT
2. (CH.1) DATA OUTPUT
3. (CH.2) DATA INPUT
4. (CH.2) DATA OUTPUT
5. NA
6. NA
7. NA
8. NA

\*V-8 BIT VIDEO  
\*W-10 BIT VIDEO