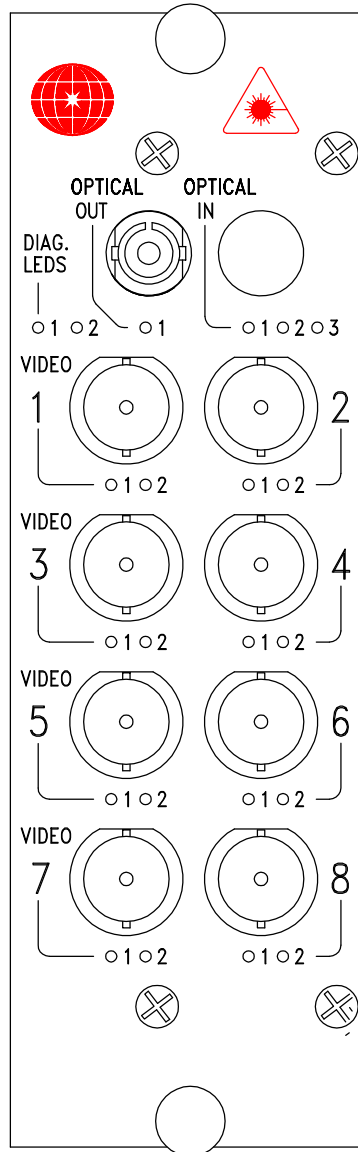


DT-8V-X

PINOUT DIAGRAM

- OPTICAL PORT**
- STATUS INDICATORS**
1. POWER (GREEN)
 2. NA
- STATUS INDICATORS**
1. TX CARRIER (GREEN)/ERROR (RED)
- VIDEO INPUT (CH.1)**
- STATUS INDICATORS**
1. SYNC PRESENT (GREEN)
 2. VIDEO PRESENT (GREEN)/OVERLOAD (RED)
- VIDEO INPUT (CH.3)**
- STATUS INDICATORS**
1. SYNC PRESENT (GREEN)
 2. VIDEO PRESENT (GREEN)/OVERLOAD (RED)
- VIDEO INPUT (CH.5)**
- STATUS INDICATORS**
1. SYNC PRESENT (GREEN)
 2. VIDEO PRESENT (GREEN)/OVERLOAD (RED)
- VIDEO INPUT (CH.7)**
- STATUS INDICATORS**
1. SYNC PRESENT (GREEN)
 2. VIDEO PRESENT (GREEN)/OVERLOAD (RED)



- VIDEO INPUT (CH.2)**
- STATUS INDICATORS**
1. SYNC PRESENT (GREEN)
 2. VIDEO PRESENT (GREEN)/OVERLOAD (RED)
- VIDEO INPUT (CH.4)**
- STATUS INDICATORS**
1. SYNC PRESENT (GREEN)
 2. VIDEO PRESENT (GREEN)/OVERLOAD (RED)
- VIDEO INPUT (CH.6)**
- STATUS INDICATORS**
1. SYNC PRESENT (GREEN)
 2. VIDEO PRESENT (GREEN)/OVERLOAD (RED)
- VIDEO INPUT (CH.8)**
- STATUS INDICATORS**
1. SYNC PRESENT (GREEN)
 2. VIDEO PRESENT (GREEN)/OVERLOAD (RED)

DR-8V-X

PINOUT DIAGRAM

STATUS INDICATORS

1. POWER (GREEN)
2. NA

VIDEO OUTPUT (CH.1) STATUS INDICATORS

1. SYNC PRESENT (GREEN)
2. VIDEO PRESENT (GREEN)/OVERLOAD (RED)

VIDEO OUTPUT (CH.3) STATUS INDICATORS

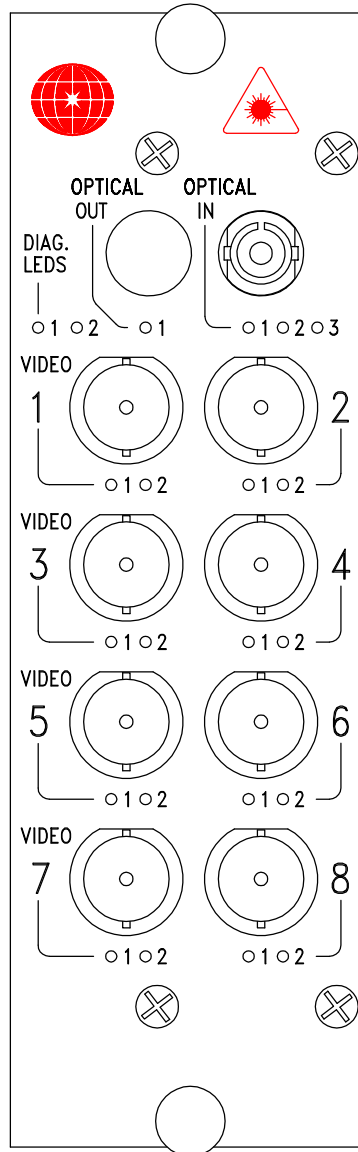
1. SYNC PRESENT (GREEN)
2. VIDEO PRESENT (GREEN)/OVERLOAD (RED)

VIDEO OUTPUT (CH.5) STATUS INDICATORS

1. SYNC PRESENT (GREEN)
2. VIDEO PRESENT (GREEN)/OVERLOAD (RED)

VIDEO OUTPUT (CH.7) STATUS INDICATORS

1. SYNC PRESENT (GREEN)
2. VIDEO PRESENT (GREEN)/OVERLOAD (RED)



OPTICAL PORT STATUS INDICATORS

1. RX OPTICAL SIGNAL (GREEN)/ABSENT (RED)
2. NA
3. RX CARRIER (GREEN)/ERROR (RED)

VIDEO OUTPUT (CH.2) STATUS INDICATORS

1. SYNC PRESENT (GREEN)
2. VIDEO PRESENT (GREEN)/OVERLOAD (RED)

VIDEO OUTPUT (CH.4) STATUS INDICATORS

1. SYNC PRESENT (GREEN)
2. VIDEO PRESENT (GREEN)/OVERLOAD (RED)

VIDEO OUTPUT (CH.6) STATUS INDICATORS

1. SYNC PRESENT (GREEN)
2. VIDEO PRESENT (GREEN)/OVERLOAD (RED)

VIDEO OUTPUT (CH.8) STATUS INDICATORS

1. SYNC PRESENT (GREEN)
2. VIDEO PRESENT (GREEN)/OVERLOAD (RED)