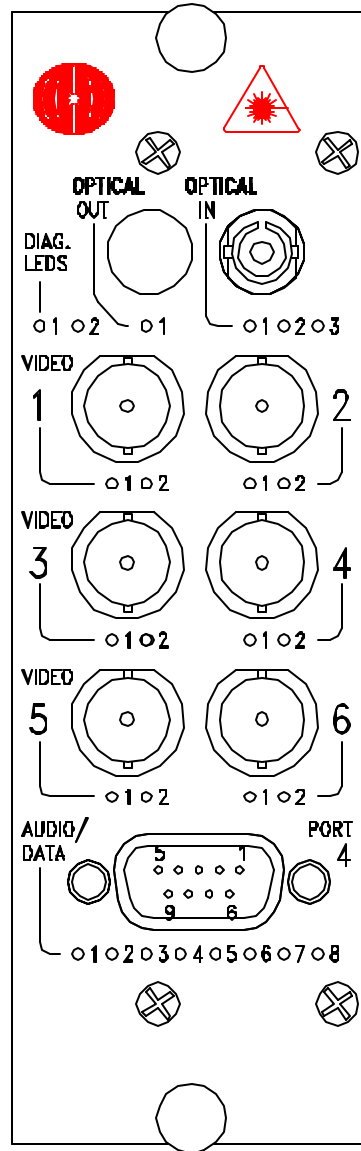


*V-8 BIT VIDEO
 *W-10 BIT VIDEO

DT-6V1K/1K-X DT-6W1K/1K-X

PINOUT DIAGRAM



STATUS INDICATORS

1. POWER (GREEN)
2. NA

STATUS INDICATORS

1. TX CARRIER (GREEN)/ERROR (RED)

VIDEO INPUT (CH.1)

STATUS INDICATORS

1. SYNC PRESENT (GREEN)
2. VIDEO PRESENT (GREEN)/OVERLOAD (RED)

VIDEO INPUT (CH.3)

STATUS INDICATORS

1. SYNC PRESENT (GREEN)
2. VIDEO PRESENT (GREEN)/OVERLOAD (RED)

VIDEO INPUT (CH.5)

STATUS INDICATORS

1. SYNC PRESENT (GREEN)
2. VIDEO PRESENT (GREEN)/OVERLOAD (RED)

DATA RS485 IN/OUT (PORT 4) (DB-9 FEMALE)

1. (CH.1) DATA INPUT +
2. (CH.1) DATA INPUT -
3. (CH.1) DATA OUTPUT +
4. (CH.1) DATA OUTPUT -
5. GND
6. NA
7. NA
8. NA
9. NA

OPTICAL PORT

STATUS INDICATORS

1. NA
2. RX OPTICAL SIGNAL (GREEN)/ABSENT (RED)
3. RX CARRIER (GREEN)/ERROR (RED)

VIDEO INPUT (CH.2)

STATUS INDICATORS

1. SYNC PRESENT (GREEN)
2. VIDEO PRESENT (GREEN)/OVERLOAD (RED)

VIDEO INPUT (CH.4)

STATUS INDICATORS

1. SYNC PRESENT (GREEN)
2. VIDEO PRESENT (GREEN)/OVERLOAD (RED)

VIDEO INPUT (CH.6)

STATUS INDICATORS

1. SYNC PRESENT (GREEN)
2. VIDEO PRESENT (GREEN)/OVERLOAD (RED)

STATUS INDICATORS (PORT 4)

1. (CH.1) DATA INPUT
2. NA
3. NA
4. (CH.1) DATA OUTPUT
5. NA
6. NA
7. NA
8. NA

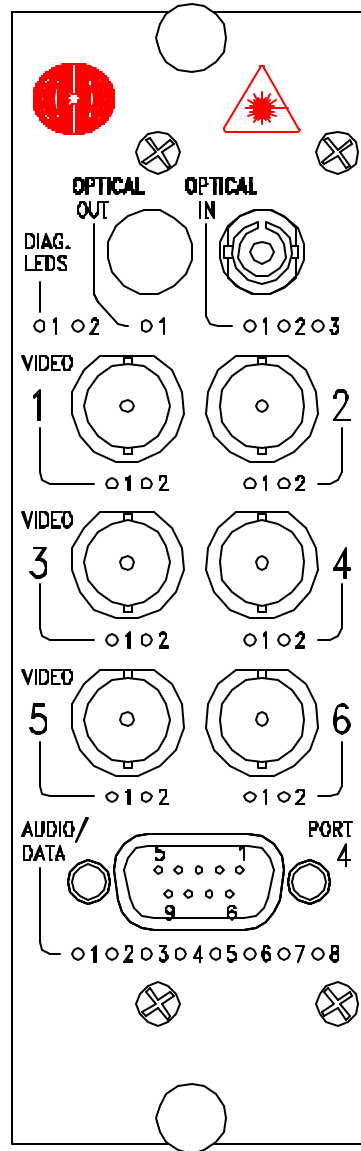
MERIDIAN TECHNOLOGEIS INC.
 700 ELMONT ROAD, ELMONT, N.Y. 11003
 Support: 516-285-1000,
 919-847-6638, 858-605-1070
WWW.MERIDIAN-TECH.COM

FILE NAME: DTDR-6V1K-1K.DWG
 01/17/2011 V.1

*V-8 BIT VIDEO
 *W-10 BIT VIDEO

DR-6V1K/1K-X DR-6W1K/1K-X

PINOUT DIAGRAM



STATUS INDICATORS

1. POWER (GREEN)
2. NA

STATUS INDICATORS

1. TX CARRIER (GREEN)/ERROR (RED)

VIDEO OUTPUT (CH.1)

STATUS INDICATORS

1. SYNC PRESENT (GREEN)
2. VIDEO PRESENT (GREEN)/OVERLOAD (RED)

VIDEO OUTPUT (CH.1)

STATUS INDICATORS

1. SYNC PRESENT (GREEN)
2. VIDEO PRESENT (GREEN)/OVERLOAD (RED)

VIDEO OUTPUT (CH.1)

STATUS INDICATORS

1. SYNC PRESENT (GREEN)
2. VIDEO PRESENT (GREEN)/OVERLOAD (RED)

DATA RS485 IN/OUT (PORT 4) (DB-9 FEMALE)

1. (CH.1) OUTPUT +
2. (CH.1) OUTPUT -
3. (CH.1) INPUT +
4. (CH.1) INPUT -
5. GND
6. NA
7. NA
8. NA
9. NA

OPTICAL PORT

STATUS INDICATORS

1. NA
2. RX OPTICAL SIGNAL (GREEN)/ABSENT (RED)
3. RX CARRIER (GREEN)/ERROR (RED)

VIDEO OUTPUT (CH.2)

STATUS INDICATORS

1. SYNC PRESENT (GREEN)
2. VIDEO PRESENT (GREEN)/OVERLOAD (RED)

VIDEO OUTPUT (CH.4)

STATUS INDICATORS

1. SYNC PRESENT (GREEN)
2. VIDEO PRESENT (GREEN)/OVERLOAD (RED)

VIDEO OUTPUT (CH.6)

STATUS INDICATORS

1. SYNC PRESENT (GREEN)
2. VIDEO PRESENT (GREEN)/OVERLOAD (RED)

STATUS INDICATORS (PORT 4)

1. NA
2. (CH.1) DATA OUTPUT
3. (CH.1) DATA INPUT
4. NA
5. NA
6. NA
7. NA
8. NA

MERIDIAN TECHNOLOGEIS INC.
 700 ELMONT ROAD, ELMONT, N.Y. 11003
 Support: 516-285-1000,
 919-847-6638, 858-605-1070
WWW.MERIDIAN-TECH.COM

FILE NAME: DTDR-6V1K-1K.DWG
 01/17/2011 V.1