

# DT-4V(W)2J/2F2J-X

## PINOUT DIAGRAM

### STATUS INDICATORS

1. POWER (GREEN)
2. NA

### STATUS INDICATORS TX

1. TX CARRIER (GREEN)/ERROR (RED)

### VIDEO INPUT (CH.1)

#### STATUS INDICATORS

1. SYNC PRESENT (GREEN)
2. VIDEO PRESENT (GREEN)/OVERLOAD (RED)

### VIDEO INPUT (CH.3)

#### STATUS INDICATORS

1. SYNC PRESENT (GREEN)
2. VIDEO PRESENT (GREEN)/OVERLOAD (RED)

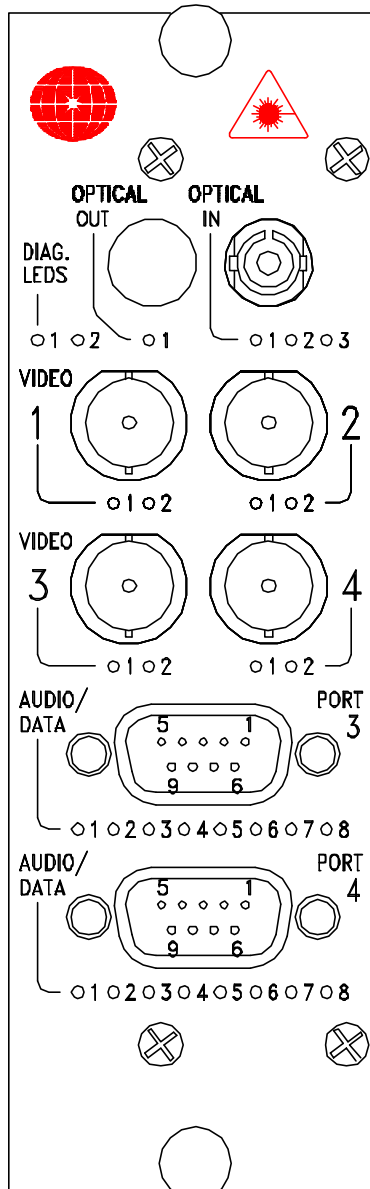
### DATA RS422 OUT (PORT 3) (DB-9 FEMALE)

1. (CH.1) OUTPUT +
2. (CH.1) OUTPUT -
3. (CH.2) OUTPUT +
4. (CH.2) OUTPUT -
5. GND
6. NA
7. NA
8. NA
9. NA

### DATA RS485 IN/OUT (PORT 4) (DB-9 FEMALE)

#### (DB-9 FEMALE)

1. (CH.1) INPUT/OUTPUT +
2. (CH.1) INPUT/OUTPUT -
3. (CH.2) INPUT/OUTPUT +
4. (CH.2) INPUT/OUTPUT -
5. GND
6. NA
7. NA
8. NA
9. NA



### OPTICAL PORT

#### STATUS INDICATORS RX

1. NA
2. RX OPTICAL SIGNAL (GREEN)/ABSENT (RED)
3. RX CARRIER (GREEN)/ERROR (RED)

### VIDEO INPUT (CH.2)

#### STATUS INDICATORS

1. SYNC PRESENT (GREEN)
2. VIDEO PRESENT (GREEN)/OVERLOAD (RED)

### VIDEO INPUT (CH.4)

#### STATUS INDICATORS

1. SYNC PRESENT (GREEN)
2. VIDEO PRESENT (GREEN)/OVERLOAD (RED)

### STATUS INDICATORS (PORT 3)

1. NA
2. (CH.1) DATA OUTPUT
3. NA
4. (CH.2) DATA OUTPUT
5. NA
6. NA
7. NA
8. NA

### STATUS INDICATORS (PORT 4)

1. (CH.1) DATA INPUT
2. (CH.1) DATA OUTPUT
3. (CH.2) DATA INPUT
4. (CH.2) DATA OUTPUT
5. NA
6. NA
7. NA
8. NA

# DR-4V(W)2J/2F2J-X

## PINOUT DIAGRAM

### STATUS INDICATORS

1. POWER (GREEN)
2. NA

### STATUS INDICATORS TX

1. TX CARRIER (GREEN)/ERROR (RED)

### VIDEO OUTPUT (CH.1)

#### STATUS INDICATORS

1. SYNC PRESENT (GREEN)
2. VIDEO PRESENT (GREEN)/OVERLOAD (RED)

### VIDEO OUTPUT (CH.3)

#### STATUS INDICATORS

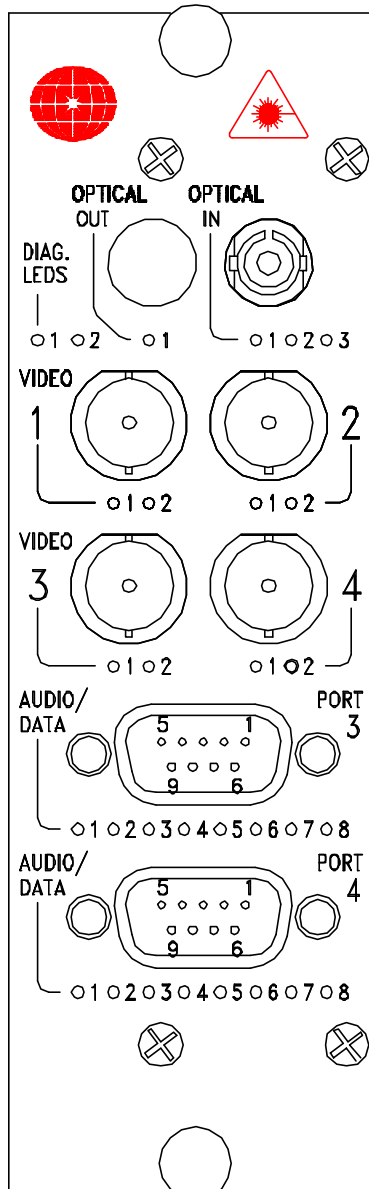
1. SYNC PRESENT (GREEN)
2. VIDEO PRESENT (GREEN)/OVERLOAD (RED)

### DATA RS422 IN (PORT 3) (DB-9 FEMALE)

1. (CH.1) INPUT +
2. (CH.1) INPUT -
3. (CH.2) INPUT +
4. (CH.2) INPUT -
5. GND
6. NA
7. NA
8. NA
9. NA

### DATA RS485 IN/OUT (PORT 4) (DB-9 FEMALE)

1. (CH.1) INPUT/OUTPUT +
2. (CH.1) INPUT/OUTPUT -
3. (CH.2) INPUT/OUTPUT +
4. (CH.2) INPUT/OUTPUT -
5. GND
6. NA
7. NA
8. NA
9. NA



### OPTICAL PORT

#### STATUS INDICATORS RX

1. NA
2. RX OPTICAL SIGNAL (GREEN)/ABSENT (RED)
3. RX CARRIER (GREEN)/ERROR (RED)

### VIDEO OUTPUT (CH.2)

#### STATUS INDICATORS

1. SYNC PRESENT (GREEN)
2. VIDEO PRESENT (GREEN)/OVERLOAD (RED)

### VIDEO OUTPUT (CH.4)

#### STATUS INDICATORS

1. SYNC PRESENT (GREEN)
2. VIDEO PRESENT (GREEN)/OVERLOAD (RED)

### STATUS INDICATORS (PORT 3)

1. (CH.1) DATA INPUT
2. NA
3. (CH.2) DATA INPUT
4. NA
5. NA
6. NA
7. NA
8. NA

### STATUS INDICATORS (PORT 4)

1. (CH.1) DATA INPUT
2. (CH.1) DATA OUTPUT
3. (CH.2) DATA INPUT
4. (CH.2) DATA OUTPUT
5. NA
6. NA
7. NA
8. NA