

DT-4V(W)2A-X

PINOUT DIAGRAM

OPTICAL PORT

STATUS INDICATORS

1. TX CARRIER (GREEN)/ERROR (RED)

STATUS INDICATORS

1. POWER (GREEN)
2. NA

VIDEO INPUT (CH.1)

STATUS INDICATORS

1. SYNC PRESENT (GREEN)
2. VIDEO PRESENT (GREEN)/OVERLOAD (RED)

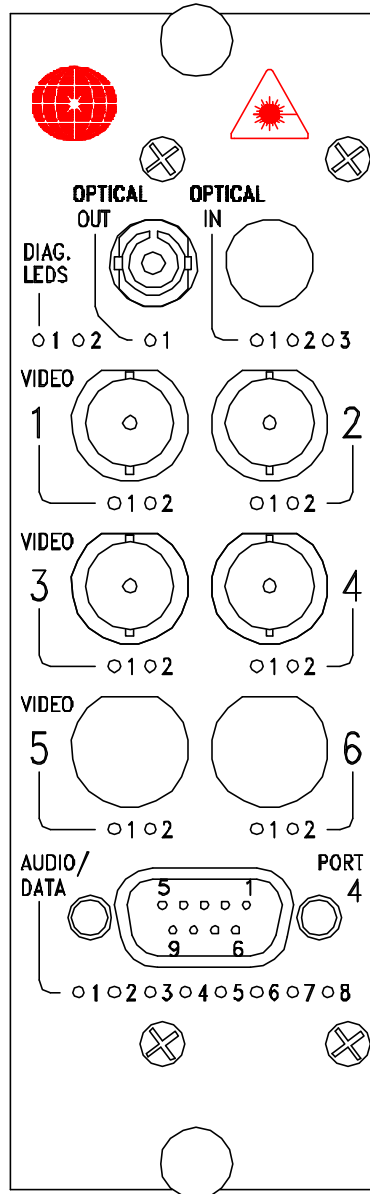
VIDEO INPUT (CH.3)

STATUS INDICATORS

1. SYNC PRESENT (GREEN)
2. VIDEO PRESENT (GREEN)/OVERLOAD (RED)

AUDIO INPUT (PORT 4) (DB-9 FEMALE)

1. (CH.1) INPUT-
2. (CH.1) INPUT+
3. (CH.2) INPUT-
4. (CH.2) INPUT+
5. GND
6. (CH.2) NA
7. (CH.3) NA
8. (CH.3) NA
9. (CH.4) NA



VIDEO INPUT (CH.2)

STATUS INDICATORS

1. SYNC PRESENT (GREEN)
2. VIDEO PRESENT (GREEN)/OVERLOAD (RED)

VIDEO INPUT (CH.4)

STATUS INDICATORS

1. SYNC PRESENT (GREEN)
2. VIDEO PRESENT (GREEN)/OVERLOAD (RED)

STATUS INDICATORS (PORT 4)

1. (CH.1) AUDIO INPUT PRESENT
2. (CH.1) AUDIO INPUT OVERLOAD
3. (CH.2) AUDIO INPUT PRESENT
4. (CH.2) AUDIO INPUT OVERLOAD
5. (CH.3) NA
6. (CH.3) NA
7. (CH.4) NA
8. (CH.4) NA

DR-4V(W)2A-X

PINOUT DIAGRAM

STATUS INDICATORS

1. POWER (GREEN)
2. NA

VIDEO OUTPUT (CH.1)

STATUS INDICATORS

1. SYNC PRESENT (GREEN)
2. VIDEO PRESENT (GREEN)/OVERLOAD (RED)

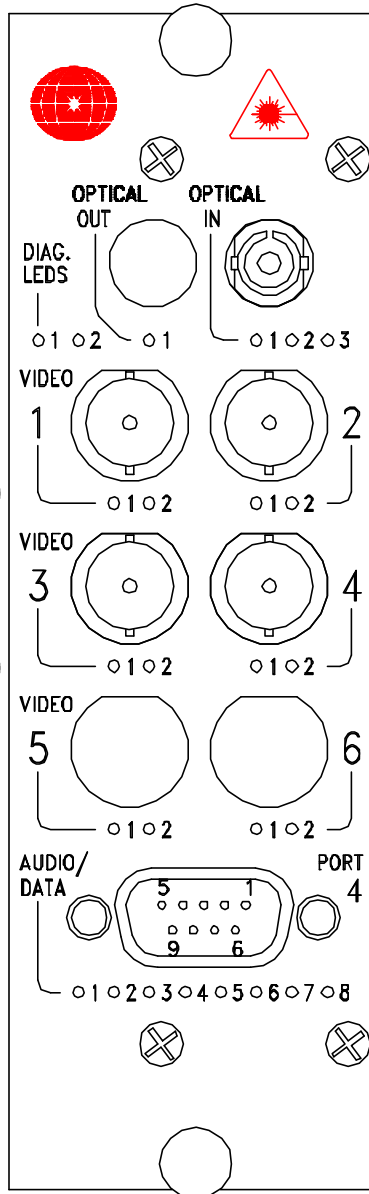
VIDEO OUTPUT (CH.3)

STATUS INDICATORS

1. SYNC PRESENT (GREEN)
2. VIDEO PRESENT (GREEN)/OVERLOAD (RED)

AUDIO OUTPUT (PORT 4) (DB-9 FEMALE)

1. (CH.1) OUTPUT-
2. (CH.1) OUTPUT+
3. (CH.2) OUTPUT-
4. (CH.2) OUTPUT+
5. GND
6. (CH.2) NA
7. (CH.3) NA
8. (CH.3) NA
9. (CH.4) NA



OPTICAL PORT

STATUS INDICATORS

1. RX OPTICAL SIGNAL (GREEN)/ABSENT (RED)
2. NA
3. RX CARRIER (GREEN)/ERROR (RED)

VIDEO OUTPUT (CH.2)

STATUS INDICATORS

1. SYNC PRESENT (GREEN)
2. VIDEO PRESENT (GREEN)/OVERLOAD (RED)

VIDEO OUTPUT (CH.4)

STATUS INDICATORS

1. SYNC PRESENT (GREEN)
2. VIDEO PRESENT (GREEN)/OVERLOAD (RED)

STATUS INDICATORS (PORT 4)

1. (CH.1) AUDIO OUTPUT PRESENT
2. (CH.1) AUDIO OUTPUT OVERLOAD
3. (CH.2) AUDIO OUTPUT PRESENT
4. (CH.2) AUDIO OUTPUT OVERLOAD
5. (CH.3) NA
6. (CH.3) NA
7. (CH.4) NA
8. (CH.4) NA