

DT-4V1C1D/1C1D-X

PINOUT DIAGRAM

STATUS INDICATORS

1. TX CARRIER (GREEN)/ERROR (RED)

STATUS INDICATORS

1. POWER (GREEN)
2. NA

VIDEO INPUT (CH.1)

STATUS INDICATORS

1. SYNC PRESENT (GREEN)
2. VIDEO PRESENT (GREEN)/OVERLOAD (RED)

VIDEO INPUT (CH.3)

STATUS INDICATORS

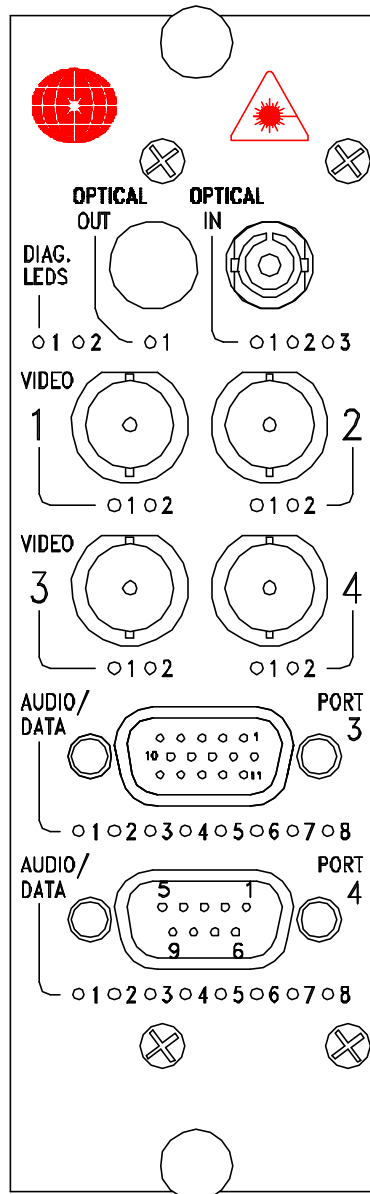
1. SYNC PRESENT (GREEN)
2. VIDEO PRESENT (GREEN)/OVERLOAD (RED)

DATA IN/OUT (PORT 3) (DB-15 FEMALE)

1. (CH.1) INPUT
2. (CH.2) NA
3. (CH.3) NA
4. (CH.4) NA
5. GND
6. (CH.1) OUTPUT
7. (CH.1) OUTPUT
8. (CH.2) NA
9. (CH.2) NA
10. (CH.3) NA
11. (CH.3) NA
12. (CH.4) NA
13. (CH.4) NA
14. NA
15. NA

DATA RS232 IN/OUT (PORT 4) (DB-9 FEMALE)

1. (CH.4) NA
2. (CH.1) OUTPUT (TD)
3. (CH.1) INPUT (RD)
4. (CH.2) NA
5. GND
6. (CH.2) NA
7. (CH.3) NA
8. (CH.3) NA
9. (CH.4) NA



OPTICAL PORT

STATUS INDICATORS

1. NA
2. RX OPTICAL SIGNAL (GREEN)/ABSENT (RED)
3. RX CARRIER (GREEN)/ERROR (RED)

VIDEO INPUT (CH.2)

STATUS INDICATORS

1. SYNC PRESENT (GREEN)
2. VIDEO PRESENT (GREEN)/OVERLOAD (RED)

VIDEO INPUT (CH.4)

STATUS INDICATORS

1. SYNC PRESENT (GREEN)
2. VIDEO PRESENT (GREEN)/OVERLOAD (RED)

STATUS INDICATORS (PORT 3)

1. (CH.1) INPUT PRESENT
2. (CH.1) OUTPUT PRESENT
3. (CH.2) NA
4. (CH.2) NA
5. (CH.3) NA
6. (CH.3) NA
7. (CH.4) NA
8. (CH.4) NA

STATUS INDICATORS (PORT 4)

1. (CH.1) DATA INPUT
2. (CH.1) DATA OUTPUT
3. (CH.2) NA
4. (CH.2) NA
5. (CH.3) NA
6. (CH.3) NA
7. (CH.4) NA
8. (CH.4) NA

DR-4V1C1D/1C1D-X

PINOUT DIAGRAM

STATUS INDICATORS

1. TX CARRIER (GREEN)/ERROR (RED)

STATUS INDICATORS

1. POWER (GREEN)
2. NA

VIDEO OUTPUT (CH.1)

STATUS INDICATORS

1. SYNC PRESENT (GREEN)
2. VIDEO PRESENT (GREEN)/OVERLOAD (RED)

VIDEO OUTPUT (CH.3)

STATUS INDICATORS

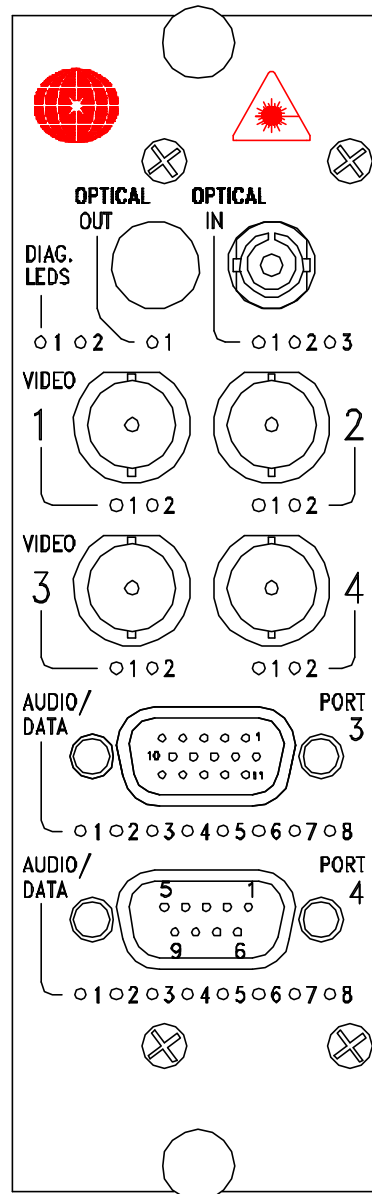
1. SYNC PRESENT (GREEN)
2. VIDEO PRESENT (GREEN)/OVERLOAD (RED)

DATA IN/OUT (PORT 3) (DB-15 FEMALE)

1. (CH.1) INPUT
2. (CH.2) NA
3. (CH.3) NA
4. (CH.4) NA
5. GND
6. (CH.1) OUTPUT
7. (CH.1) OUTPUT
8. (CH.2) NA
9. (CH.2) NA
10. (CH.3) NA
11. (CH.3) NA
12. (CH.4) NA
13. (CH.4) NA
14. NA
15. NA

DATA RS232 IN/OUT (PORT 4) (DB-9 FEMALE)

1. (CH.4) NA
2. (CH.1) OUTPUT (TD)
3. (CH.1) INPUT (RD)
4. (CH.2) NA
5. GND
6. (CH.2) NA
7. (CH.3) NA
8. (CH.3) NA
9. (CH.4) NA



OPTICAL PORT

STATUS INDICATORS

1. NA
2. RX OPTICAL SIGNAL (GREEN)/ABSENT (RED)
3. RX CARRIER (GREEN)/ERROR (RED)

VIDEO OUTPUT (CH.2)

STATUS INDICATORS

1. SYNC PRESENT (GREEN)
2. VIDEO PRESENT (GREEN)/OVERLOAD (RED)

VIDEO OUTPUT (CH.4)

STATUS INDICATORS

1. SYNC PRESENT (GREEN)
2. VIDEO PRESENT (GREEN)/OVERLOAD (RED)

STATUS INDICATORS (PORT 3)

1. (CH.1) INPUT PRESENT
2. (CH.1) OUTPUT PRESENT
3. (CH.2) NA
4. (CH.2) NA
5. (CH.3) NA
6. (CH.3) NA
7. (CH.4) NA
8. (CH.4) NA

STATUS INDICATORS (PORT 4)

1. (CH.1) DATA INPUT
2. (CH.1) DATA OUTPUT
3. (CH.2) NA
4. (CH.2) NA
5. (CH.3) NA
6. (CH.3) NA
7. (CH.4) NA
8. (CH.4) NA