

DT-4V(W)14C-X

PINOUT DIAGRAM

- OPTICAL PORT**
- STATUS INDICATORS**
1. POWER (GREEN)
 2. NA
- STATUS INDICATORS**
1. TX CARRIER (GREEN)/ERROR (RED)

- VIDEO INPUT (CH.1)**
- STATUS INDICATORS**
1. SYNC PRESENT (GREEN)
 2. VIDEO PRESENT (GREEN)/OVERLOAD (RED)

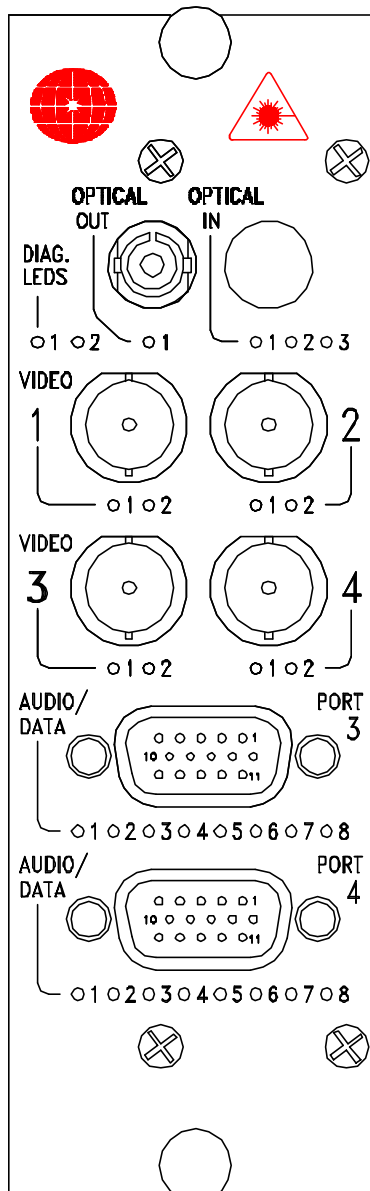
- VIDEO INPUT (CH.3)**
- STATUS INDICATORS**
1. SYNC PRESENT (GREEN)
 2. VIDEO PRESENT (GREEN)/OVERLOAD (RED)

DATA INPUT (PORT 3)
(HD-15 FEMALE)

1. (CH.1) INPUT
2. (CH.2) INPUT
3. (CH.3) INPUT
4. (CH.4) INPUT
5. GND
6. (CH.5) INPUT
7. (CH.6) INPUT
8. (CH.7) INPUT
- 9.-15. NA

DATA INPUT (PORT 4)
(HD-15 FEMALE)

1. (CH.8) INPUT
2. (CH.9) INPUT
3. (CH.10) INPUT
4. (CH.11) INPUT
5. GND
6. (CH.12) INPUT
7. (CH.13) INPUT
8. (CH.14) INPUT
- 9.-15. NA



- VIDEO INPUT (CH.2)**
- STATUS INDICATORS**
1. SYNC PRESENT (GREEN)
 2. VIDEO PRESENT (GREEN)/OVERLOAD (RED)

- VIDEO INPUT (CH.4)**
- STATUS INDICATORS**
1. SYNC PRESENT (GREEN)
 2. VIDEO PRESENT (GREEN)/OVERLOAD (RED)

- STATUS INDICATORS (PORT 3)**
1. (CH.1) INPUT PRESENT
 2. (CH.2) INPUT PRESENT
 3. (CH.3) INPUT PRESENT
 4. (CH.4) INPUT PRESENT
 5. (CH.5) INPUT PRESENT
 6. (CH.6) INPUT PRESENT
 7. (CH.7) INPUT PRESENT
 8. NA

- STATUS INDICATORS (PORT 4)**
1. (CH.8) INPUT PRESENT
 2. (CH.9) INPUT PRESENT
 3. (CH.10) INPUT PRESENT
 4. (CH.11) INPUT PRESENT
 5. (CH.12) INPUT PRESENT
 6. (CH.13) INPUT PRESENT
 7. (CH.14) INPUT PRESENT
 8. NA

*V-8 BIT VIDEO
*W-10 BIT VIDEO

DR-4V(W)14C-X

PINOUT DIAGRAM

STATUS INDICATORS

1. POWER (GREEN)
2. NA

STATUS INDICATORS

1. NA

VIDEO OUTPUT (CH.1)

STATUS INDICATORS

1. SYNC PRESENT (GREEN)
2. VIDEO PRESENT (GREEN)/OVERLOAD (RED)

VIDEO OUTPUT (CH.3)

STATUS INDICATORS

1. SYNC PRESENT (GREEN)
2. VIDEO PRESENT (GREEN)/OVERLOAD (RED)

DATA OUTPUT (PORT 3)

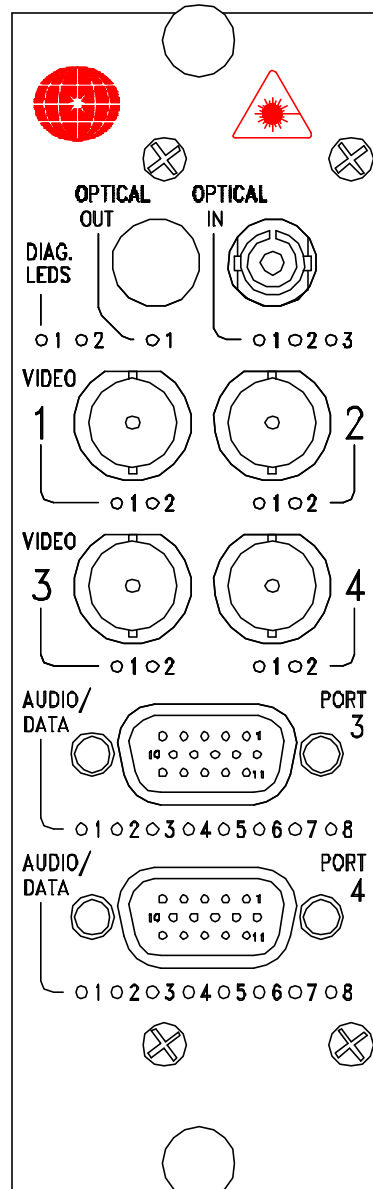
(HD-15 FEMALE)

1. (CH.1) OUTPUT
2. (CH.1) OUTPUT
3. (CH.2) OUTPUT
4. (CH.2) OUTPUT
5. GND
6. (CH.3) OUTPUT
7. (CH.3) OUTPUT
8. (CH.4) OUTPUT
9. (CH.4) OUTPUT
10. (CH.5) OUTPUT
11. (CH.5) OUTPUT
12. (CH.6) OUTPUT
13. (CH.6) OUTPUT
14. (CH.7) OUTPUT
15. (CH.7) OUTPUT

DATA OUTPUT (PORT 4)

(HD-15 FEMALE)

1. (CH.8) OUTPUT
2. (CH.8) OUTPUT
3. (CH.9) OUTPUT
4. (CH.9) OUTPUT
5. GND
6. (CH.10) OUTPUT
7. (CH.10) OUTPUT
8. (CH.11) OUTPUT
9. (CH.11) OUTPUT
10. (CH.12) OUTPUT
11. (CH.12) OUTPUT
12. (CH.13) OUTPUT
13. (CH.13) OUTPUT
14. (CH.14) OUTPUT
15. (CH.14) OUTPUT



OPTICAL PORT

STATUS INDICATORS

1. RX OPTICAL SIGNAL (GREEN)/ABSENT (RED)
2. NA
3. RX CARRIER (GREEN)/ERROR (RED)

VIDEO OUTPUT (CH.2)

STATUS INDICATORS

1. SYNC PRESENT (GREEN)
2. VIDEO PRESENT (GREEN)/OVERLOAD (RED)

VIDEO OUTPUT (CH.4)

STATUS INDICATORS

1. SYNC PRESENT (GREEN)
2. VIDEO PRESENT (GREEN)/OVERLOAD (RED)

STATUS INDICATORS (PORT 3)

1. (CH.1) OUTPUT PRESENT
2. (CH.2) OUTPUT PRESENT
3. (CH.3) OUTPUT PRESENT
4. (CH.4) OUTPUT PRESENT
5. (CH.5) OUTPUT PRESENT
6. (CH.6) OUTPUT PRESENT
7. (CH.7) OUTPUT PRESENT
8. NA

STATUS INDICATORS (PORT 4)

1. (CH.8) OUTPUT PRESENT
2. (CH.9) OUTPUT PRESENT
3. (CH.10) OUTPUT PRESENT
4. (CH.11) OUTPUT PRESENT
5. (CH.12) OUTPUT PRESENT
6. (CH.13) OUTPUT PRESENT
7. (CH.14) OUTPUT PRESENT
8. NA

*V-8 BIT VIDEO
*W-10 BIT VIDEO