

# DT-4V-X

## PINOUT DIAGRAM

### OPTICAL PORT

#### STATUS INDICATORS

1. POWER (GREEN)
2. NA

#### STATUS INDICATORS

1. TX CARRIER (GREEN)/ERROR (RED)

### VIDEO INPUT (CH.1)

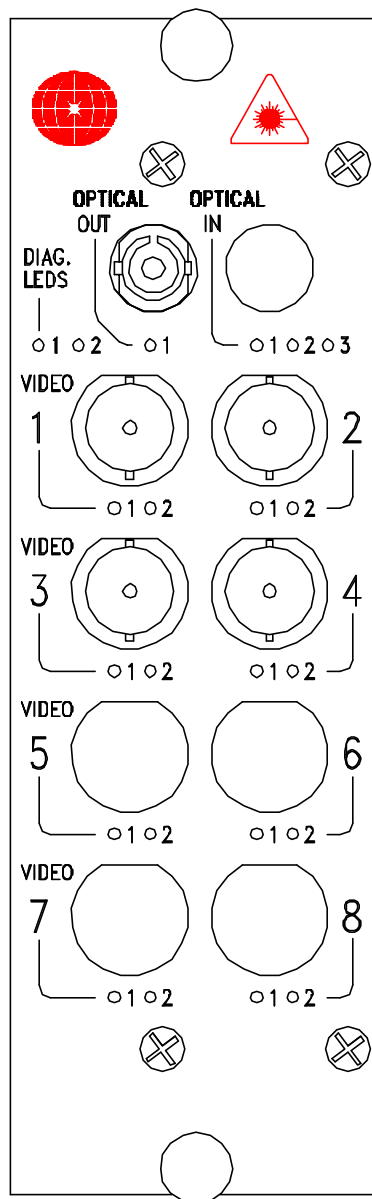
#### STATUS INDICATORS

1. SYNC PRESENT (GREEN)
2. VIDEO PRESENT (GREEN)/OVERLOAD (RED)

### VIDEO INPUT (CH.3)

#### STATUS INDICATORS

1. SYNC PRESENT (GREEN)
2. VIDEO PRESENT (GREEN)/OVERLOAD (RED)



### VIDEO INPUT (CH.2)

#### STATUS INDICATORS

1. SYNC PRESENT (GREEN)
2. VIDEO PRESENT (GREEN)/OVERLOAD (RED)

### VIDEO INPUT (CH.4)

#### STATUS INDICATORS

1. SYNC PRESENT (GREEN)
2. VIDEO PRESENT (GREEN)/OVERLOAD (RED)

# DR-4V-X

## PINOUT DIAGRAM

### STATUS INDICATORS

1. POWER (GREEN)
2. NA

### STATUS INDICATORS

1. NA

### VIDEO OUTPUT (CH.1)

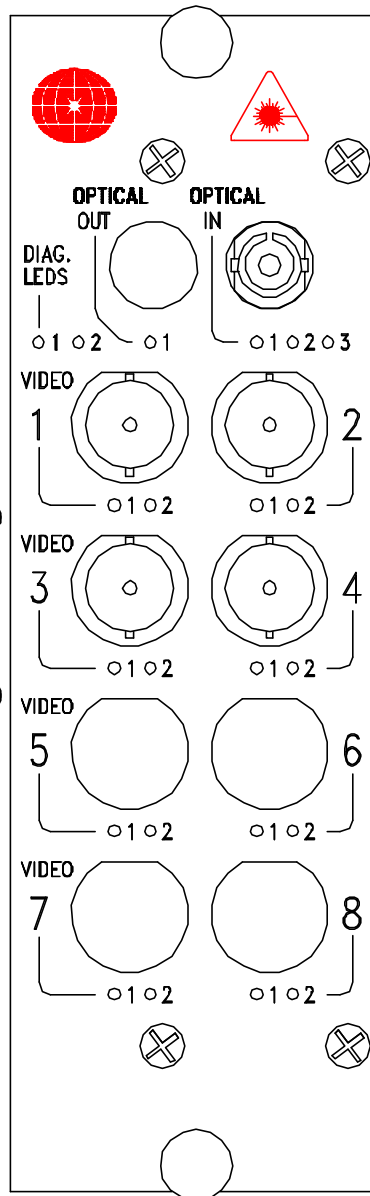
#### STATUS INDICATORS

1. SYNC PRESENT (GREEN)
2. VIDEO PRESENT (GREEN)/OVERLOAD (RED)

### VIDEO OUTPUT (CH.3)

#### STATUS INDICATORS

1. SYNC PRESENT (GREEN)
2. VIDEO PRESENT (GREEN)/OVERLOAD (RED)



### OPTICAL PORT

#### STATUS INDICATORS

1. RX OPTICAL SIGNAL (GREEN)/ABSENT (RED)
2. NA
3. RX CARRIER (GREEN)/ERROR (RED)

### VIDEO OUTPUT (CH.2)

#### STATUS INDICATORS

1. SYNC PRESENT (GREEN)
2. VIDEO PRESENT (GREEN)/OVERLOAD (RED)

### VIDEO OUTPUT (CH.4)

#### STATUS INDICATORS

1. SYNC PRESENT (GREEN)
2. VIDEO PRESENT (GREEN)/OVERLOAD (RED)