

# DT-2V\*2G/2G-X

## PINOUT DIAGRAM

### STATUS INDICATORS

1. POWER (GREEN)
2. NA

### STATUS INDICATORS

1. TX CARRIER (GREEN)/ERROR (RED)

### VIDEO INPUT (CH.1)

### STATUS INDICATORS

1. SYNC PRESENT (GREEN)
2. VIDEO PRESENT (GREEN)/OVERLOAD (RED)

### MULTI PROTOCOL DIGITAL (PORT 3)

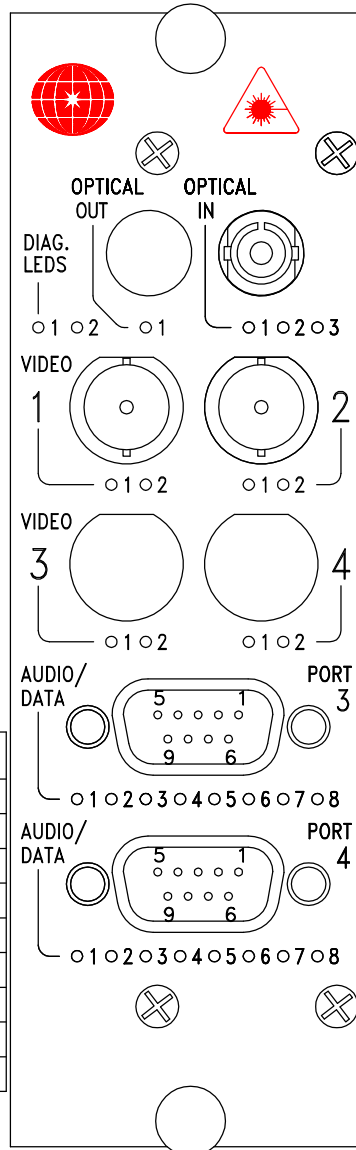
#### PINOUT DIAGRAM

PIN #	RS-232	RS-422	RS-485 2W	RS-485 4W
1		CH1 IN+	CH1 IN/OUT+	CH1 IN+
2	CH1 OUT (TD)			
3	CH1 IN (RD)			
4		CH1 IN-	CH1 IN/OUT-	CH1 IN-
5	GND	GND	GND	GND
6		CH1 OUT+		CH1 OUT+
7	CH2 IN (RTS)			
8	CH2 OUT(CTS)			
9		CH1 OUT-		CH1 OUT-

### MULTI PROTOCOL DIGITAL (PORT 4)

#### PINOUT DIAGRAM

PIN #	RS-232	RS-422	RS-485 2W	RS-485 4W
1		CH1 IN+	CH1 IN/OUT+	CH1 IN+
2	CH1 OUT (TD)			
3	CH1 IN (RD)			
4		CH1 IN-	CH1 IN/OUT-	CH1 IN-
5	GND	GND	GND	GND
6		CH1 OUT+		CH1 OUT+
7	CH2 IN (RTS)			
8	CH2 OUT(CTS)			
9		CH1 OUT-		CH1 OUT-



### OPTICAL PORT

### STATUS INDICATORS

1. NA
2. RX OPTICAL SIGNAL (GREEN)/ABSENT (RED)
3. RX CARRIER (GREEN)/ERROR (RED)

### VIDEO INPUT (CH.2)

### STATUS INDICATORS

1. SYNC PRESENT (GREEN)
2. VIDEO PRESENT (GREEN)/OVERLOAD (RED)

### STATUS INDICATORS (PORT 3)

1. (CH.1) DATA INPUT
2. NA
3. (CH.1) DATA OUTPUT
4. NA
5. (CH.2) DATA INPUT
6. NA
7. (CH.2) DATA OUTPUT
8. NA

### STATUS INDICATORS (PORT 4)

1. (CH.1) DATA INPUT
2. NA
3. (CH.1) DATA OUTPUT
4. NA
5. (CH.2) DATA INPUT
6. NA
7. (CH.2) DATA OUTPUT
8. NA

### INTERNAL JUMPER SETTINGS

1*	2	3	4
RS-232	RS-422	RS-485 2W	RS-485 4W

\*FACTORY SETTINGS

\*U-10MHz, 10 BIT VIDEO

\*V-8 BIT VIDEO

\*W-10 BIT VIDEO

MERIDIAN TECHNOLOGEIS  
 FILENAME: 2V1G-1G.DWG

05/11/07 V.2

# DR-2V\*2G/2G-X

## PINOUT DIAGRAM

### STATUS INDICATORS

1. POWER (GREEN)
2. NA

### STATUS INDICATORS

1. TX CARRIER (GREEN)/ERROR (RED)

### VIDEO OUTPUT (CH.1)

#### STATUS INDICATORS

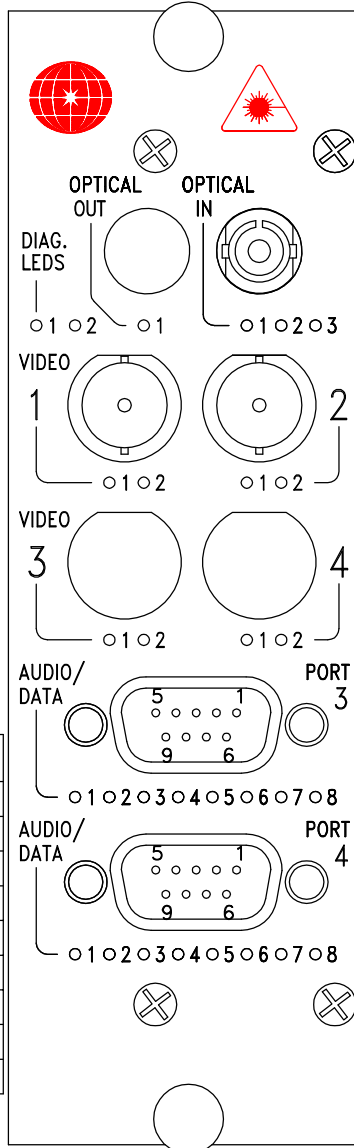
1. SYNC PRESENT (GREEN)
2. VIDEO PRESENT (GREEN)/OVERLOAD (RED)

### MULTI PROTOCOL DIGITAL (PORT 3) PINOUT DIAGRAM

PIN #	RS-232	RS-422	RS-485 2W	RS-485 4W
1		CH1 IN+	CH1 IN/OUT+	CH1 IN+
2	CH1 OUT (TD)			
3	CH1 IN (RD)			
4		CH1 IN-	CH1 IN/OUT-	CH1 IN-
5	GND	GND	GND	GND
6		CH1 OUT+		CH1 OUT+
7	CH2 IN (RTS)			
8	CH2 OUT(CTS)			
9		CH1 OUT-		CH1 OUT-

### MULTI PROTOCOL DIGITAL (PORT 4) PINOUT DIAGRAM

PIN #	RS-232	RS-422	RS-485 2W	RS-485 4W
1		CH1 IN+	CH1 IN/OUT+	CH1 IN+
2	CH1 OUT (TD)			
3	CH1 IN (RD)			
4		CH1 IN-	CH1 IN/OUT-	CH1 IN-
5	GND	GND	GND	GND
6		CH1 OUT+		CH1 OUT+
7	CH2 IN (RTS)			
8	CH2 OUT(CTS)			
9		CH1 OUT-		CH1 OUT-



### OPTICAL PORT

#### STATUS INDICATORS

1. NA
2. RX OPTICAL SIGNAL (GREEN)/ABSENT (RED)
3. RX CARRIER (GREEN)/ERROR (RED)

### VIDEO OUTPUT (CH.2)

#### STATUS INDICATORS

1. SYNC PRESENT (GREEN)
2. VIDEO PRESENT (GREEN)/OVERLOAD (RED)

### STATUS INDICATORS (PORT 3)

1. (CH.1) DATA INPUT
2. NA
3. (CH.1) DATA OUTPUT
4. NA
5. (CH.2) DATA INPUT
6. NA
7. (CH.2) DATA OUTPUT
8. NA

### STATUS INDICATORS (PORT 4)

1. (CH.1) DATA INPUT
2. NA
3. (CH.1) DATA OUTPUT
4. NA
5. (CH.2) DATA INPUT
6. NA
7. (CH.2) DATA OUTPUT
8. NA

### INTERNAL JUMPER SETTINGS

1*	2	3	4
RS-232	RS-422	RS-485 2W	RS-485 4W

\*FACTORY SETTINGS

\*U-10MHz, 10 BIT VIDEO

\*V-8 BIT VIDEO

\*W-10 BIT VIDEO

MERIDIAN TECHNOLOGEIS  
FILENAME: 2V1G-1G.DWG  
05/11/07 V.2