

DT-2V(W)2A1D/2A1D-X

PINOUT DIAGRAM

STATUS INDICATORS

1. POWER (GREEN)
2. NA

STATUS INDICATORS

1. TX CARRIER (GREEN)/ERROR (RED)

VIDEO INPUT (CH.1)

STATUS INDICATORS

1. SYNC PRESENT (GREEN)
2. VIDEO PRESENT (GREEN)/OVERLOAD (RED)

AUDIO IN/OUT (PORT 3)

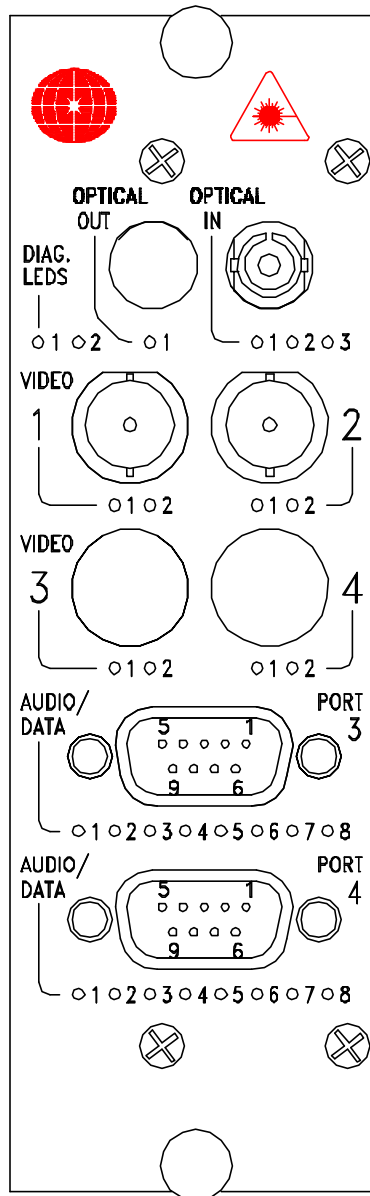
(DB-9 FEMALE)

1. (CH.1) OUTPUT-
2. (CH.1) OUTPUT+
3. (CH.2) OUTPUT-
4. (CH.2) OUTPUT+
5. GND
6. (CH.1) INPUT-
7. (CH.1) INPUT+
8. (CH.2) INPUT-
9. (CH.2) INPUT+

DATA RS232 IN/OUT (PORT 4)

(DB-9 FEMALE)

1. NA
2. (CH.1) OUTPUT (TD)
3. (CH.1) INPUT (RD)
4. NA
5. GND
6. NA
7. NA
8. NA
9. NA



OPTICAL PORT STATUS INDICATORS

1. NA
2. RX OPTICAL SIGNAL (GREEN)/ABSENT (RED)
3. RX CARRIER (GREEN)/ERROR (RED)

VIDEO INPUT (CH.2)

STATUS INDICATORS

1. SYNC PRESENT (GREEN)
2. VIDEO PRESENT (GREEN)/OVERLOAD (RED)

STATUS INDICATORS (PORT 3)

1. (CH.1) AUDIO INPUT PRESENT
2. (CH.1) AUDIO INPUT OVERLOAD
3. (CH.2) AUDIO INPUT PRESENT
4. (CH.2) AUDIO INPUT OVERLOAD
5. (CH.1) AUDIO OUTPUT PRESENT
6. (CH.1) AUDIO OUTPUT OVERLOAD
7. (CH.2) AUDIO OUTPUT PRESENT
8. (CH.2) AUDIO OUTPUT OVERLOAD

STATUS INDICATORS (PORT 4)

1. (CH.1) DATA INPUT
2. (CH.1) DATA OUTPUT
3. NA
4. NA
5. NA
6. NA
7. NA
8. NA

*V-8 BIT VIDEO
*W-10 BIT VIDEO

DR-2V(W)2A1D/2A1D-X

PINOUT DIAGRAM

STATUS INDICATORS

1. POWER (GREEN)
2. NA

STATUS INDICATORS

1. TX CARRIER (GREEN)/ERROR (RED)

VIDEO OUTPUT (CH.1)

STATUS INDICATORS

1. SYNC PRESENT (GREEN)
2. VIDEO PRESENT (GREEN)/OVERLOAD (RED)

AUDIO IN/OUT (PORT 3)

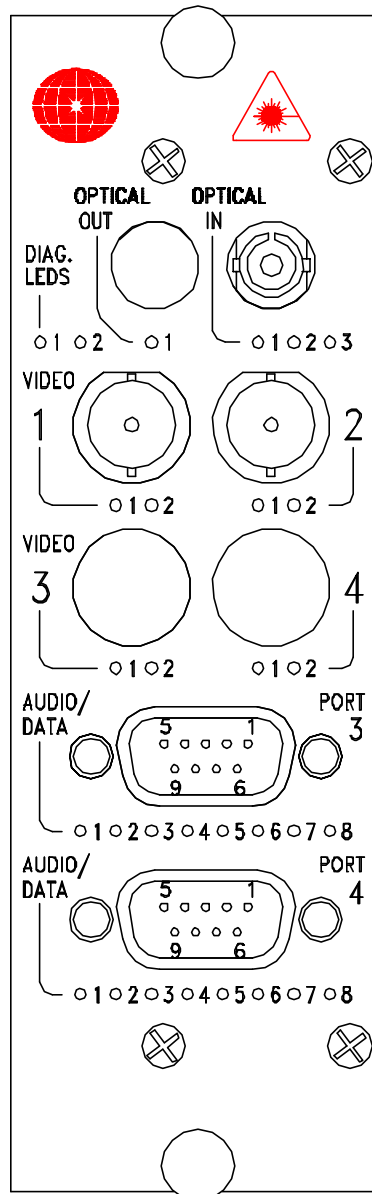
(DB-9 FEMALE)

1. (CH.1) OUTPUT-
2. (CH.1) OUTPUT+
3. (CH.2) OUTPUT-
4. (CH.2) OUTPUT+
5. GND
6. (CH.1) INPUT-
7. (CH.1) INPUT+
8. (CH.2) INPUT-
9. (CH.2) INPUT+

DATA RS232 IN/OUT (PORT 4)

(DB-9 FEMALE)

1. NA
2. (CH.1) OUTPUT (TD)
3. (CH.1) INPUT (RD)
4. NA
5. GND
6. NA
7. NA
8. NA
9. NA



OPTICAL PORT STATUS INDICATORS

1. NA
2. RX OPTICAL SIGNAL (GREEN)/ABSENT (RED)
3. RX CARRIER (GREEN)/ERROR (RED)

VIDEO OUTPUT (CH.2)

STATUS INDICATORS

1. SYNC PRESENT (GREEN)
2. VIDEO PRESENT (GREEN)/OVERLOAD (RED)

STATUS INDICATORS (PORT 3)

1. (CH.1) AUDIO INPUT PRESENT
2. (CH.1) AUDIO INPUT OVERLOAD
3. (CH.2) AUDIO INPUT PRESENT
4. (CH.2) AUDIO INPUT OVERLOAD
5. (CH.1) AUDIO OUTPUT PRESENT
6. (CH.1) AUDIO OUTPUT OVERLOAD
7. (CH.2) AUDIO OUTPUT PRESENT
8. (CH.2) AUDIO OUTPUT OVERLOAD

STATUS INDICATORS (PORT 4)

1. (CH.1) DATA INPUT
2. (CH.1) DATA OUTPUT
3. NA
4. NA
5. NA
6. NA
7. NA
8. NA

*V-8 BIT VIDEO

*W-10 BIT VIDEO