

DT-1V(W)2A2D/2A2D-X

PINOUT DIAGRAM

STATUS INDICATORS

1. POWER (GREEN)
2. NA

STATUS INDICATORS

1. TX CARRIER (GREEN)/ERROR (RED)

VIDEO INPUT (CH.1)

STATUS INDICATORS

1. SYNC PRESENT (GREEN)
2. VIDEO PRESENT (GREEN)/OVERLOAD (RED)

AUDIO INPUT/OUTPUT (PORT 3)

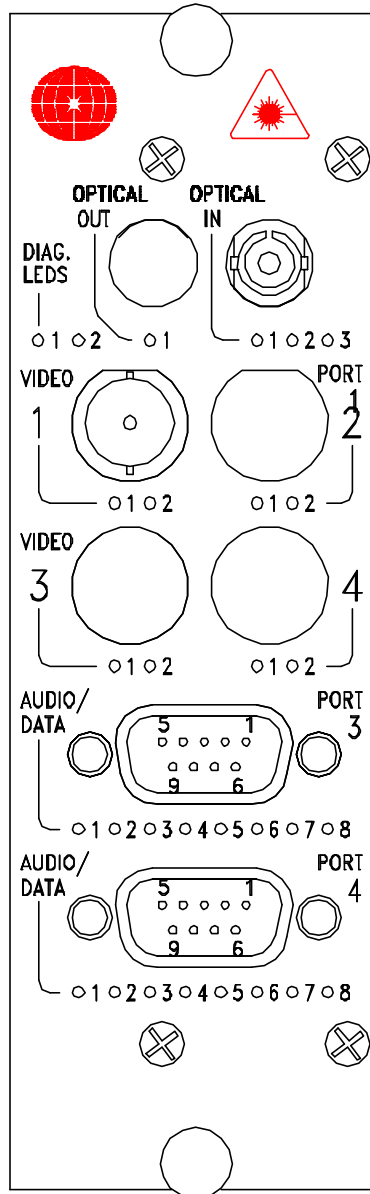
(DB-9 FEMALE)

1. (CH.1) OUTPUT-
2. (CH.1) OUTPUT+
3. (CH.2) OUTPUT-
4. (CH.2) OUTPUT+
5. GND
6. (CH.1) INPUT-
7. (CH.1) INPUT+
8. (CH.2) INPUT-
9. (CH.2) INPUT+

DATA RS232 IN/OUT (PORT 4)

(DB-9 FEMALE)

1. NA
2. (CH.1) OUTPUT (TD)
3. (CH.1) INPUT (RD)
4. (CH.2) INPUT (DTR)
5. GND
6. (CH.2) OUTPUT (DSR)
7. NA
8. NA
9. NA



OPTICAL PORT

STATUS INDICATORS

1. NA
2. RX OPTICAL SIGNAL (GREEN)/ABSENT (RED)
3. RX CARRIER (GREEN)/ERROR (RED)

STATUS INDICATORS (PORT 3)

1. (CH.1) AUDIO INPUT PRESENT
2. (CH.1) AUDIO INPUT OVERLOAD
3. (CH.2) AUDIO INPUT PRESENT
4. (CH.2) AUDIO INPUT OVERLOAD
5. (CH.1) AUDIO OUTPUT PRESENT
6. (CH.1) AUDIO OUTPUT OVERLOAD
7. (CH.2) AUDIO OUTPUT PRESENT
8. (CH.2) AUDIO OUTPUT OVERLOAD

STATUS INDICATORS (PORT 4)

1. (CH.1) DATA INPUT
2. (CH.1) DATA OUTPUT
3. (CH.2) DATA INPUT
4. (CH.2) DATA OUTPUT
5. NA
6. NA
7. NA
8. NA

DR-1V(W)2A2D/2A2D-X

PINOUT DIAGRAM

STATUS INDICATORS

1. POWER (GREEN)
2. NA

STATUS INDICATORS

1. TX CARRIER (GREEN)/ERROR (RED)

VIDEO OUTPUT (CH.1)

STATUS INDICATORS

1. SYNC PRESENT (GREEN)
2. VIDEO PRESENT (GREEN)/OVERLOAD (RED)

AUDIO INPUT/OUTPUT (PORT 3)

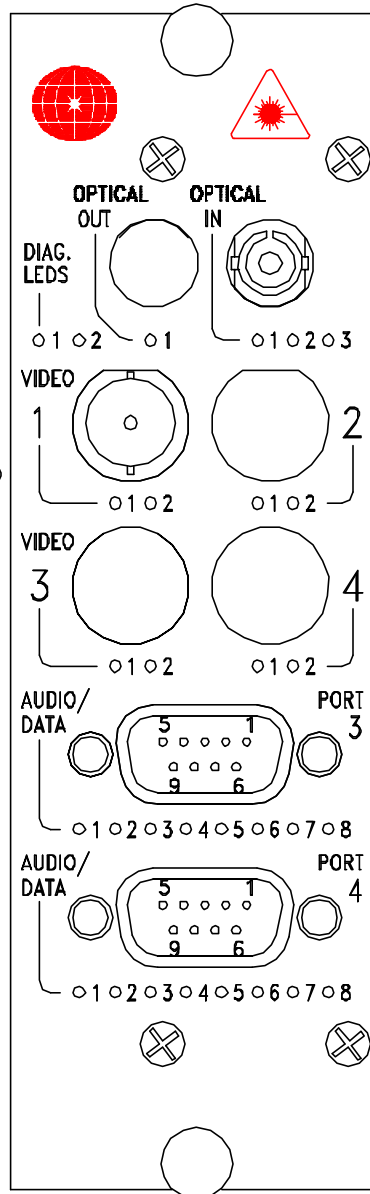
(DB-9 FEMALE)

1. (CH.1) OUTPUT-
2. (CH.1) OUTPUT+
3. (CH.2) OUTPUT-
4. (CH.2) OUTPUT+
5. GND
6. (CH.1) INPUT-
7. (CH.1) INPUT+
8. (CH.2) INPUT-
9. (CH.2) INPUT+

DATA RS232 IN/OUT (PORT 4)

(DB-9 FEMALE)

1. NA
2. (CH.1) OUTPUT (TD)
3. (CH.1) INPUT (RD)
4. (CH.2) INPUT (DTR)
5. GND
6. (CH.2) OUTPUT (DSR)
7. NA
8. NA
9. NA



OPTICAL PORT

STATUS INDICATORS

1. NA
2. RX OPTICAL SIGNAL (GREEN)/ABSENT (RED)
3. RX CARRIER (GREEN)/ERROR (RED)

STATUS INDICATORS (PORT 3)

1. (CH.1) AUDIO INPUT PRESENT
2. (CH.1) AUDIO INPUT OVERLOAD
3. (CH.2) AUDIO INPUT PRESENT
4. (CH.2) AUDIO INPUT OVERLOAD
5. (CH.1) AUDIO OUTPUT PRESENT
6. (CH.1) AUDIO OUTPUT OVERLOAD
7. (CH.2) AUDIO OUTPUT PRESENT
8. (CH.2) AUDIO OUTPUT OVERLOAD

STATUS INDICATORS (PORT 4)

1. (CH.1) DATA INPUT
2. (CH.1) DATA OUTPUT
3. (CH.2) DATA INPUT
4. (CH.2) DATA OUTPUT
5. NA
6. NA
7. NA
8. NA