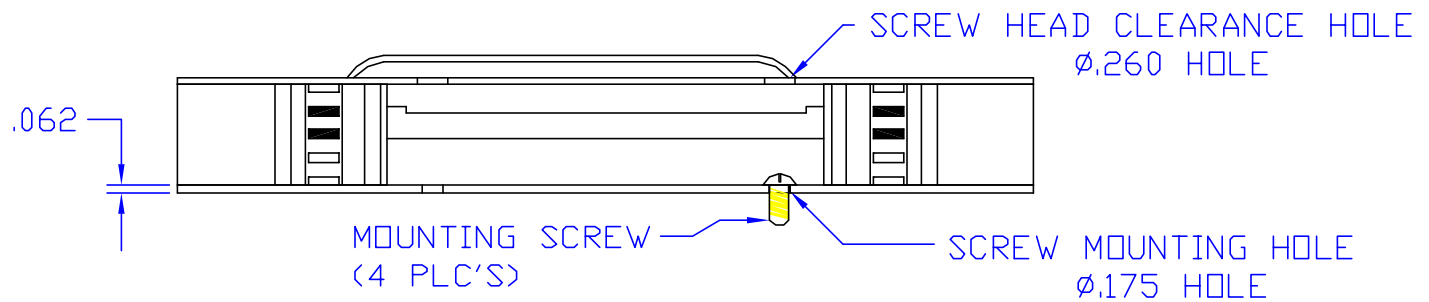



**FRONT VIEW
CARD ENTRY**



NOTES:

1. MOUNT UNIT IN VERTICAL PLANE AS SHOWN WITH LOUVER OPENING DOWN OR HORIZONTAL WITH LOUVERS FACING UP
2. SR-500 WILL ACCOMMODATE SINGLE SLOT MERIDIAN CARD
3. MOUNTING SCREW HEAD ϕ .255 MAX. MOUNTING SCREW THREAD #8 MAX.

<small>UNLESS OTHERWISE SPECIFIED DIMENSIONS ARE IN INCHES TOLERANCES ARE: FRACTIONS DECIMALS ANGLES ± .xx ± .01 ± .xxx ± .005 ±</small>	APPROVALS		DATE	 MERIDIAN™ TECHNOLOGIES 700 Elmont Road, Elmont, NY 11003	
	DRAWN J. KROL		10/95		TITLE: SR-500 MACH. MOUNT DWG.
	MATERIAL: ALUMINUM		CHECKED J. KROL	10/95	SIZE FILE NO. DWG. NO. REV.
	FINISH: BLACK POLANE		ISSUED		B SR500MOUNT 93-069-01201
DO NOT SCALE DRAWING				SCALE: NONE SHEET 1 OF	