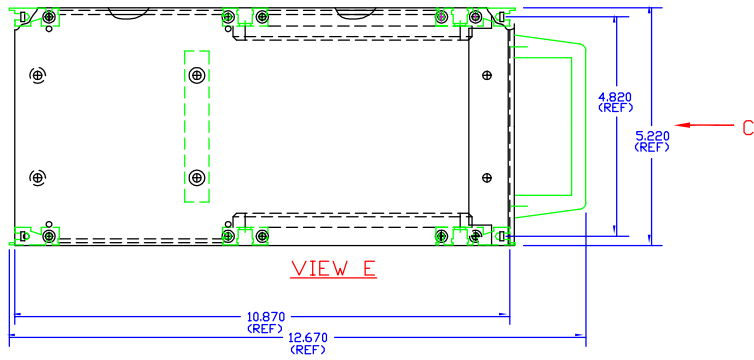


VIEW C (GUIDE LOCATIONS FOR ITEM #1)



VIEW E

UNLESS OTHERWISE SPECIFIED DIMENSIONS ARE IN INCHES TOLERANCES AND FRACTIONS DECIMALS ANGLES ± .010 .005 .005		Meridian Technologies, Inc 700 Elnont Road, Elnont, NY 11003	
MATERIAL:	APPROVALS	DATE	TITLE
FINISH:	J. KRÖDL	10/94	3U SUBRACK ASSEMBLY DWG.
	CHECKED J. KRÖDL	10/94	SIZE: FILE NO. DWG. NO. REV.