

FEATURES:

- Compact Size
- Attaches to Camera
- 26dB Budget
- 34 dB Dynamic Range (AGC)
- Surface Mount Technology (SMT) for High Reliability and Repeatability
- ST™ Connector
- 15 MHz Video Bandwidth
- Meets EIA RS-170, RS-343A
- 12 VDC Power Supply
- Compatible with All NTSC, PAL, or SECAM Systems
- Wide Optical Dynamic Range: Optical Attenuators are Never Required
- BNC Video Connector
- Compatible with 100M Series (Module)
- Compatible with 130R Series (Rack)

DESCRIPTION:

The PT 100uB is a State-of-the-Art, LED based, Intensity Modulated, fiber optic video system that transmits a real time B&W or color video signal over multimode fiber up to 5 miles (8 Km). This compact unit is PAL, SECAM, and NTSC compatible and operates at 850nm (1300nm models are also available). The PT 100uB mounts directly into the CCTV camera and is the product of choice for Original Equipment (OEM) Manufacturers and Systems Integrators.

CONFIGURATIONS:

PT 100uB transmitters are suitable for both pressurized and non-pressurized camera housings and can be combined with either the PR-100M modules or PR-100R card receivers for point-to-point and star applications. Its high Dynamic range supports both 50 and 62.5 micron fibers.

APPLICATIONS:

Security and Surveillance
Access Control
Robotics Vision and Medical Imaging

SPECIFICATIONS:

Video

Format	NTSC, PAL, SECAM
Voltage/Impedance	1 Vp-p, 75 Ohm, 1.5 Vp-p max.
Bandwidth	5 Hz to 15 MHz @ -3 dB
Differential Gain	<2% typical
Differential Phase	<2° typical
SNR	67 dB weighted*
Return Loss	>30 dB
Field Tilt	<0.5% max.

Physical

Dimensions:	
PT-100u	38 mm (1.5")L, 13 mm (0.5")Dia.
Weight:	
PT-100u	28 g (1 oz.)

Connectors

Video/Power	4 Pin Block
Optical	ST™
Harness cable 12"	BNC Male

Environmental

Operating Temperature	-30°C to +60°C
Storage Temperature	-50°C to +85°C
Relative Humidity	0 to 95% Non-condensing

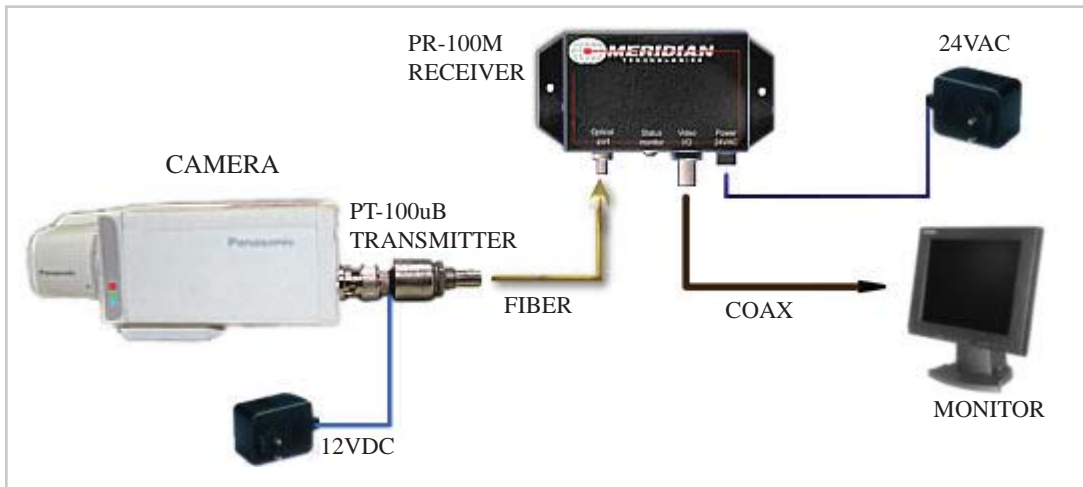
Power

Transmitter Module	50 mA @ 12 VDC
--------------------	----------------

Quality

MTBF	>210,000 hours @ Ground Fix
	35°C per MIL217F

* As per RS-250C, measured @ 1Km (multimode), @ 10Km (singlemode)



OPTICAL:

Fiber Type/Size (um)	Optical Output (dBm)	Receiver Sensitivity (dBm)	Optical Budget (dB)	Wavelength (nm)	Optical Connector	Optical Dynamic Range (dB)
Multimode* (SLED)						
50/125	-21		23	850	ST	34
50/125	-19	-44	25	1300	ST	34
62.5/125	-18	-44	26	850	ST	34
62.5/125	-16	-44	28	1300	ST	34

* Distance is limited to fiber loss and splices

Meridian Technologies Inc.

700 Elmont Road • Elmont, NY 11003 • 516. 285. 1000 • FAX 516. 285. 6300 • E-mail sales@meridian-tech.com
Visit our web site: www.meridian-tech.com or www.meridian-tech.net