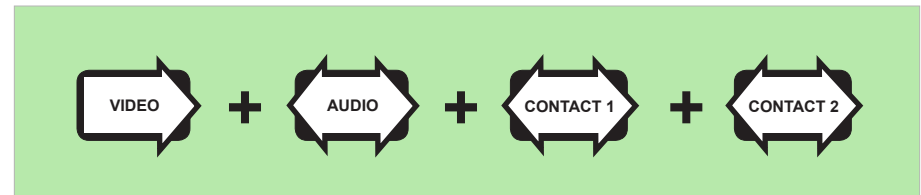
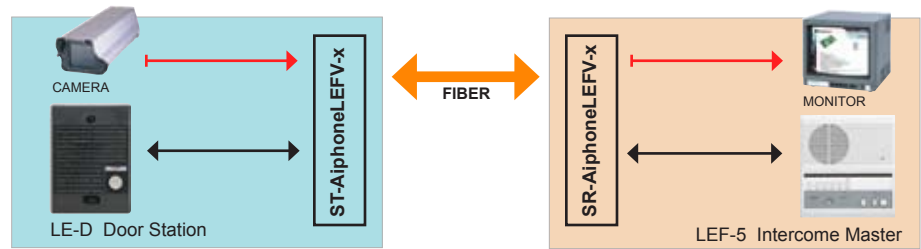


**Aiphone LEF & LEM Compatible  
Digitally Encoded Fiber Transmission System  
with One Channel Video and Bi-directional  
Audio and Contact Closures**



### FEATURES:

- Aiphone LEF & LEM system compatible
- 10 Bit Video Digital Encoding
- 7 MHz Video Bandwidth
- Meets RS-250C Short Haul Transmission Specifications
- NTSC, PAL, SECAM Compatible
- Bi-Directional Contact Closures & half-duplex Audio
- Wide Optical Dynamic Range: Eliminates Need For Optical Attenuators
- Laser Based Systems for Multimode and Singlemode
- SpectraSmart™ PC Based Network Management
- SpectraView™ Fault / Setup Firmware
- Local LED Status Indicators to Monitor Critical System Diagnostics for Performance Parameters
- ST, FC Optical Connector
- Hot Swappable Cards
- Laser Back - Biased Photo Detector Circuitry for Stable Optical Output Over Full Temperature Range.
- 75 Ohm BNC Video Connector (Gold Center Pin)
- Meets EIA RS-170, RS-343A Formats
- Convenient Screw Terminals for Audio & Contacts

### DESCRIPTION:

This card is designed specifically to work seamlessly with the Aiphone LEF & LEM series intercom systems on one multimode or singlemode optical fiber. The card features one channel of 10-bit, high resolution fixed video, one bi-directional channel of intercom-compatible fiber optic audio and two bi-directional Contact Closures for push-to-call and gate or access control. The versatility of this card is enhanced by SpectraView, an on-screen video diagnostic/setup firmware system and SpectraSmart, an optional PC based network diagnostic system. SpectraView monitors the integrity of the video signal and the fiber link. A break in the fiber path will cause a loss of fiber alarm to be displayed on an associated monitor while loss of video sync will generate a loss of sync alarm on the monitor. SpectraView is easy to use, always active and minimizes the need for additional test equipment. In addition a video grey scale function is included to assist in monitor and system setup. If greater diagnostic capability is required, the DigiSlim series is also available with Meridian's SpectraSmart Network management and diagnostic PC based system. See the SpectraSmart or SpectraView brochures for additional details.

### CONFIGURATIONS:

The DigiSlim product family is available as rack mount cards and modules that can be installed in any of Meridian's desk chassis or in 19" racking frames. This system can be configured in either star (module to rack) or trunking (rack to rack) configurations. These systems can be transformed in to a standalone module by utilizing an SR-500 (standard configuration) or an SR-1001 subrack frames.

### MARKETS:

- ✓ Security and surveillance
- ✓ Access Control

# SPECIFICATIONS:

## Contact Closure

Rate ..... 10 Hz.(Per Channel)  
 Contact Rating ..... 0.3A, 30V AC / DC  
 Contact Bounce Time ..... 5 ms

## Audio

I/O Impedance..... 4-8 Ohm Unbalanced  
 I/O Level ..... -40 to +15 dBm  
 Frequency Response ..... 10 Hz to 15 KHz  
 THD ..... <0.1%, 1 KHz @ max modulation  
 SNR ..... >65 dB (weighted)\*

## Optical

Fiber Data Rate ..... 125 Mb/s

## Connectors

Optical ..... ST, FC  
 Power (module) ..... See SR-500 Brochure for Details  
 Audio/Contact Closures ..... 14pin Screw Terminals

## Power \*\*

Card ..... 6 Watts

## Indicators (LEDs)

1 - Green ..... Power On  
 1 - Bi-color ..... TX Carrier/ Laser Over Current  
 1 - Bi-color ..... RX Carrier - Present / Error  
 1 - Bi-Color ..... Audio Present / Overmodulation  
 2 - Green ..... Contact Closure Present

## Physical

Dimensions (Card) ..... 160 mm (6.3") L, 127 mm (5") W  
 20mm (0.80") W  
 Weight (Card) ..... 450 gms (16 Oz)  
 No. of Slots ..... 1  
 Module ..... See SR-500 Brochure

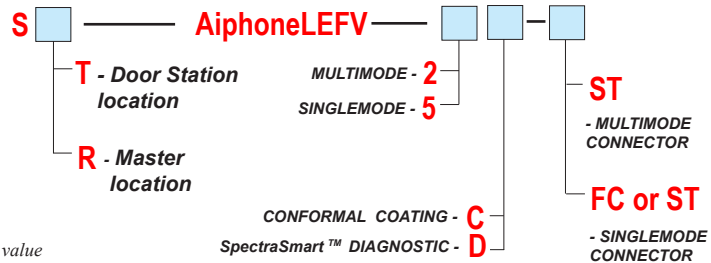
## Environmental

Operating Temperature ... -34°C to +74°C  
 Storage Temperature ..... -55°C to +85°C  
 Relative Humidity ..... 0 to 95% Non-condensing

## Quality

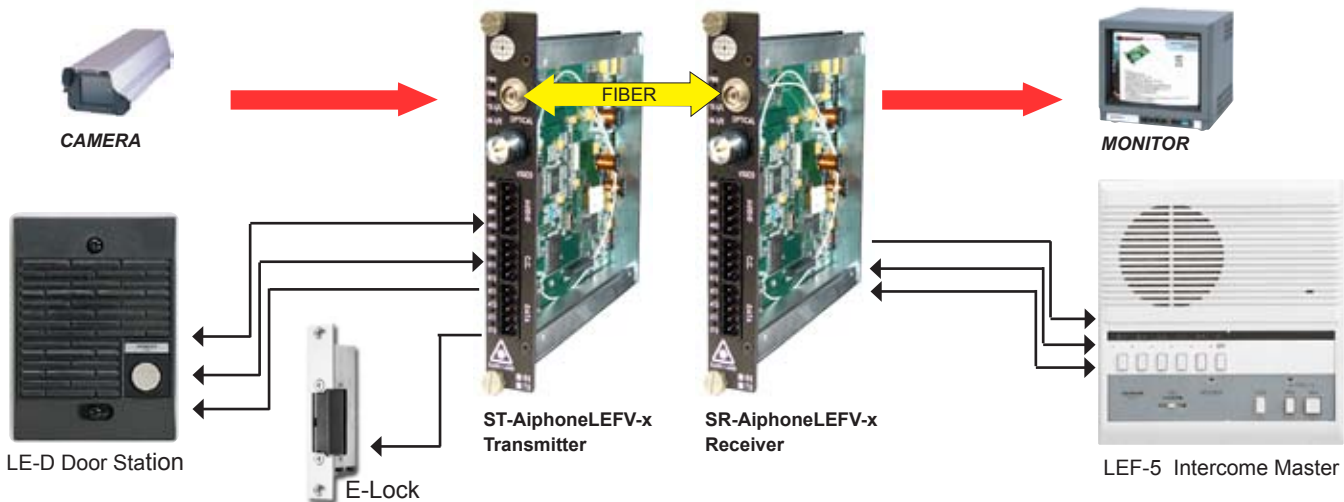
MTBF ..... >170,000 hours @ Ground Fix  
 35°C per MIL217F

## Part Numbers:



\* measured @ max. optical budget

\*\* Due to variations of drivers and diagnostic options, power shown @ max value



## OPTICAL:

Fiber Type/Size (um)	Optical Output (dBm)	Receiver Sensitivity (dBm)	Optical Budget (dB)	Wavelength (nm)	Optical Connector	Optical Dynamic Range (dB)
Multimode (FP Laser) 62.5 / 125	-5	-26	21	1300 / 850	ST	24
Singlemode (FP Laser) 9 / 125	-5	-26	21	1310 / 1550	ST, FC	24