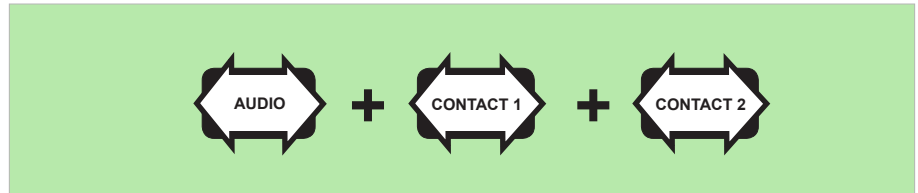
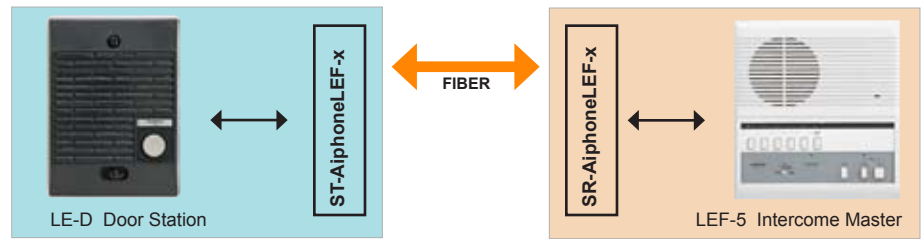


**Aiphone LEF & LEM Compatible
Digitally Encoded Fiber Transmission System
with Bi-directional Audio and
Contact Closures**



FEATURES:

- Aiphone LEF & LEM system compatible
- Bi-Directional Contact Closures & half-duplex Audio
- Wide Optical Dynamic Range: Eliminates Need For Optical Attenuators
- Laser Based Systems for Multimode and Singlemode
- Local LED Status Indicators to Monitor Critical System Diagnostics for Performance Parameters
- ST, FC Optical Connector
- Hot Swappable Cards
- Laser Back - Biased Photo Detector Circuitry for Stable Optical Output Over Full Temperature Range.
- Convenient Screw Terminals for Audio & Contacts

DESCRIPTION:

This card is designed specifically to work seamlessly with the Aiphone LEF & LEM series intercom systems on one multimode or singlemode optical fiber. The card features one Bi-directional channel of intercom-compatible fiber optic audio and two Bi-directional Contact Closures for push-to-call and gate or access control.

CONFIGURATIONS:

The DigiSlim product family is available as rack mount cards and modules that can be installed in any of Meridian's desk chassis or in 19" racking frames. This system can be configured in either star (module to rack) or trunking (rack to rack) configurations. These systems can be transformed in to a standalone module by utilizing an SR-500 (standard configuration) or an SR-1001 subrack frames.

MARKETS:

- ✓ Access Control

SPECIFICATIONS:

Contact Closure

Rate 10 Hz.(Per Channel)
 Contact Rating 0.3A, 30V AC / DC
 Contact Bounce Time 5 ms

Audio

I/O Impedance..... 4-8 Ohm Unbalanced
 I/O Level -40 to +15 dBm
 Frequency Response 10 Hz to 15 KHz
 THD <0.1%, 1 KHz @ max modulation
 SNR >65 dB (weighted)*

Optical

Fiber Data Rate 125 Mb/s

Connectors

Optical ST, FC
 Power (module) See SR-500 Brochure for Details
 Audio/Contact Closures 14pin Screw Terminals

Power **

Card 6 Watts

Indicators (LEDs)

1 - Green Power On
 1 - Bi-color TX Carrier/ Laser Over Current
 1 - Bi-color RX Carrier - Present / Error
 1 - Bi-Color Audio Present / Overmodulation
 2 - Green Contact Closure Present

Physical

Dimensions (Card) 160 mm (6.3") L, 127 mm (5") W
 20mm (0.80") W
 Weight (Card) 450 gms (16 Oz)
 No. of Slots 1
 Module See SR-500 Brochure

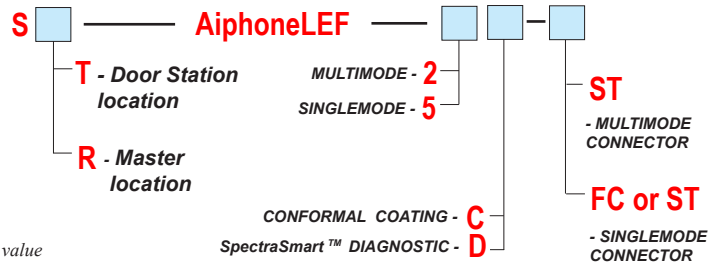
Environmental

Operating Temperature ... -34°C to +74°C
 Storage Temperature -55°C to +85°C
 Relative Humidity 0 to 95% Non-condensing

Quality

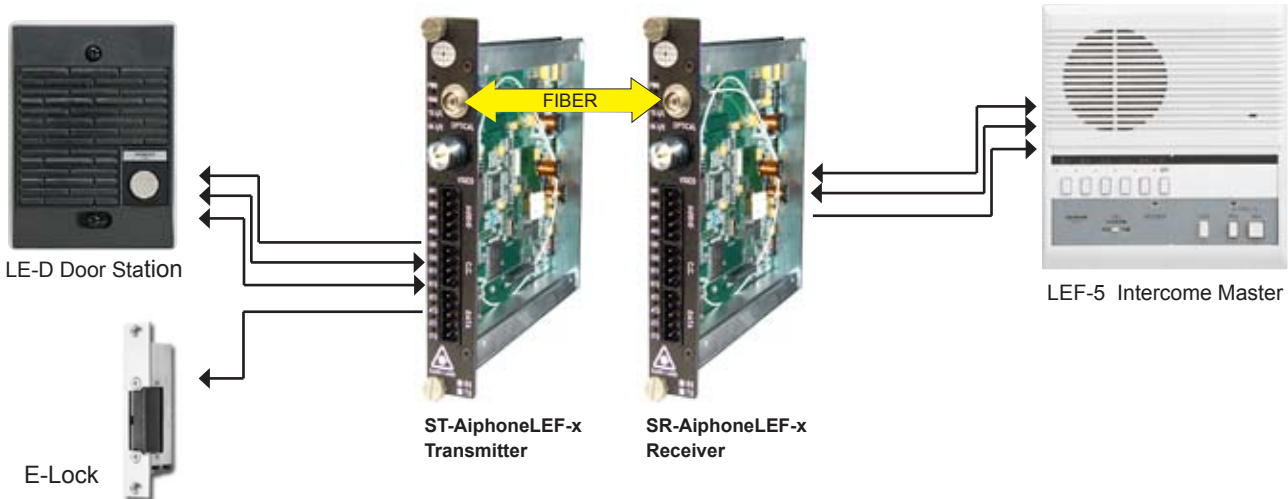
MTBF >170,000 hours @ Ground Fix
 35°C per MIL217F

Part Numbers:



* measured @ max. optical budget

** Due to variations of drivers and diagnostic options, power shown @ max value



OPTICAL:

Fiber Type/Size (um)	Optical Output (dBm)	Receiver Sensitivity (dBm)	Optical Budget (dB)	Wavelength (nm)	Optical Connector	Optical Dynamic Range (dB)
Multimode (FP Laser) 62.5 / 125	-5	-26	21	1300 / 850	ST	24
Singlemode (FP Laser) 9 / 125	-5	-26	21	1310 / 1550	ST, FC	24