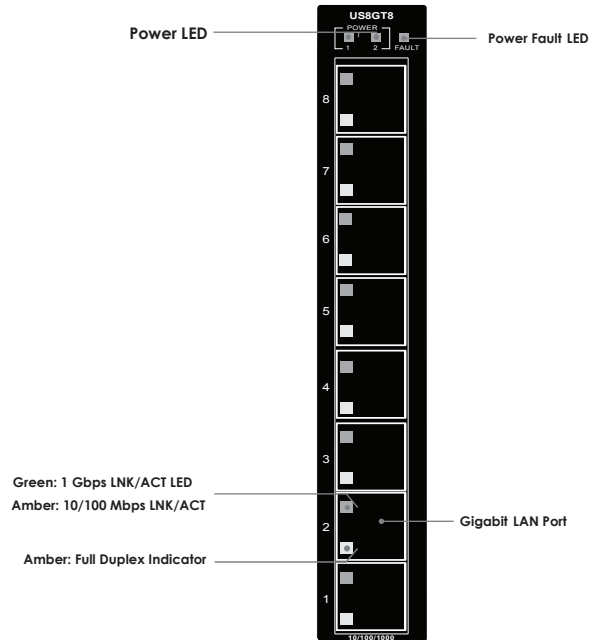


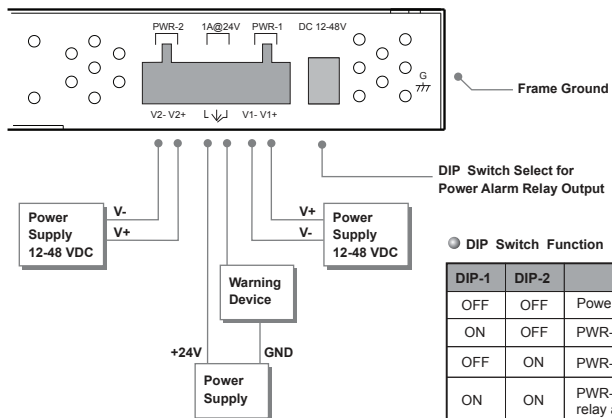
## QUICK INSTALLATION GUIDE

UNMANAGED ETHERNET SWITCH

### Front Panel



### Power Connection Guide

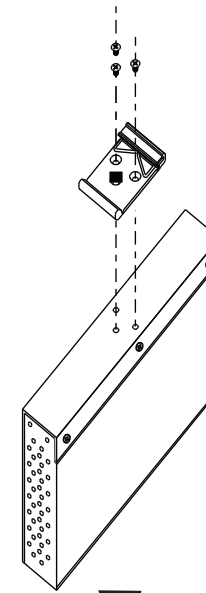


● DIP Switch Function

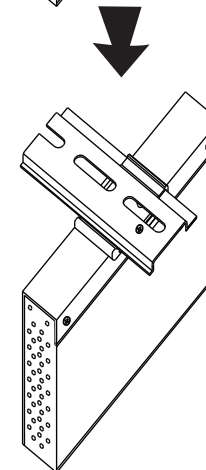
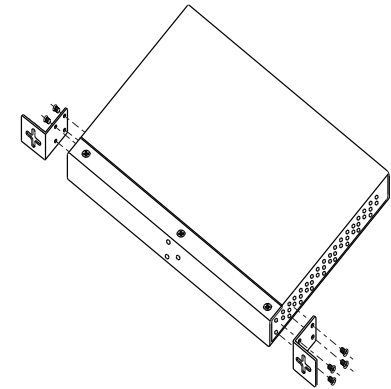
DIP-1	DIP-2	Description
OFF	OFF	Power failure relay alarm disabled
ON	OFF	PWR-1 failure, relay alarm enabled
OFF	ON	PWR-2 failure, relay alarm enabled
ON	ON	PWR-1 or PWR-2 failure, relay alarm enabled

### Installation

#### ● DIN-Rail Install Step



#### ● Wall-mounted Install Step

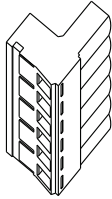


## QUICK INSTALLATION GUIDE

## UNMANAGED ETHERNET SWITCH

### Accessory

① 6-Pin Terminal block



② Dust Cover (RJ-45)



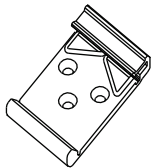
③ Round Screw (M3 X3)



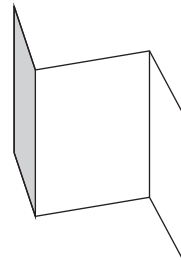
④ Wall-mounted kit (for Slim Type)



⑤ 25mm DIN-Rail kit



⑥ QIG



### Packing list

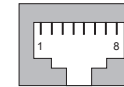
Model name	Model Description	Accessory
US8GT8	Industrial 8-port slim type unmanaged Gigabit PoE Ethernet switch with 8x10/100/1000Base-T(X) P.S.E.	⊙X 1, ⊙X 8, ⊙X 8, ⊙X 2, ⊙X 1, ⊙X 1

### Communication Connections

#### 1000Base-T Ethernet Connection

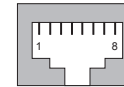
##### RJ45 (8-pin, MDI) Port Pinouts

Pin	MDI
1	BI_DA+
2	BI_DA-
3	BI_DB+
4	BI_DC+
5	BI_DC-
6	BI_DB-
7	BI_DD+
8	BI_DD-



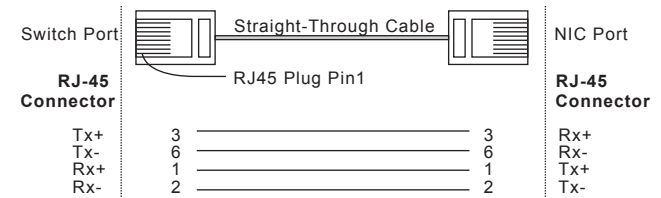
##### RJ45 (8-pin, MDI-X) Port Pinouts

Pin	MDI-X
1	BI_DB+
2	BI_DB-
3	BI_DA+
4	BI_DD+
5	BI_DD-
6	BI_DA-
7	BI_DC+
8	BI_DC-



#### 10/100Base-TX Ethernet Connection

##### RJ45 (8-pin) to RJ45 (8-Pin) Straight-Through Cable Wiring



##### RJ45 (8-pin) to RJ45 (8-Pin) Cross-Over Cable Wiring

