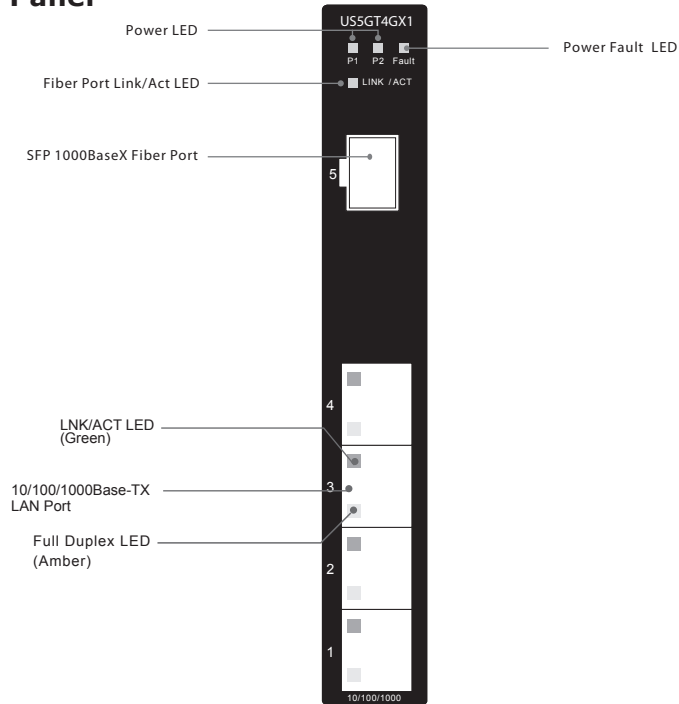


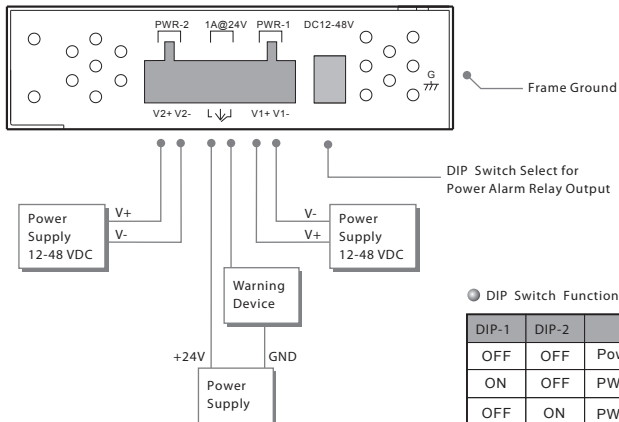
QUICK INSTALLATION GUIDE

HARDENED UNMANAGED SWITCH

Front Panel



Power Connection Guide



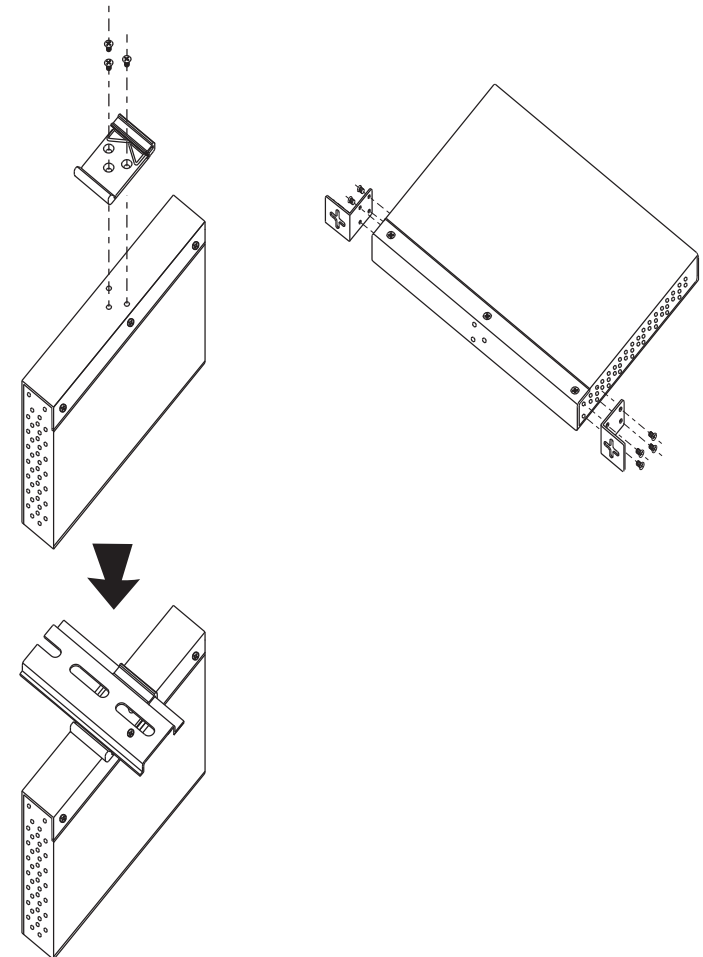
● DIP Switch Function

DIP-1	DIP-2	Description
OFF	OFF	Power failure relay alarm disabled
ON	OFF	PWR-1 failure, relay alarm enabled
OFF	ON	PWR-2 failure, relay alarm enabled

Installation

● DIN-Rail Install Step

● Wall-mounted Install Step

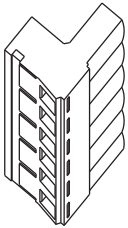


QUICK INSTALLATION GUIDE

HARDENED UNMANAGED SWITCH

Accessory

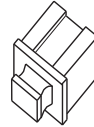
① 6-Pin Terminal block



② Dust Cover (RJ-45)



③ Dust Cover (SFP)



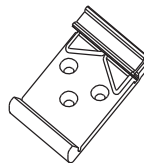
④ Round Screw (M3 X3)



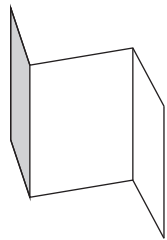
⑤ Wall-mounted kit (for Slim Type)



⑥ 25mm DIN-Rail kit



⑦ QIG



Packing list

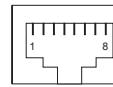
Model name	Model Description	Accessory
US5GT4GX1	Industrial 5-port Slim type Unmanaged Gigabit Ethernet Switch with 4x10/100/1000T and 1x1000Base-X SFP	⊙X1, ⊙X4, ⊙X1, ⊙X8, ⊙X2, ⊙X1, ⊙X1

Communication Connections

10/100Base-TX Ethernet Port Connection

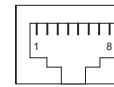
□ RJ45 (8-pin,MDI) Port Pinouts

Pin	Single
1	Tx+
2	Tx-
3	Rx+
6	Rx-



□ RJ45 (8-pin,MDI-X) Port Pinouts

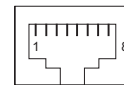
Pin	Single
1	Rx+
2	Rx-
3	Tx+
6	Tx-



1000Base-T Ethernet Port Connection

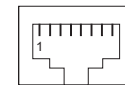
□ RJ45 (8-pin,MDI) Port Pinouts

Pin	MDI
1	BI_DA+
2	BI_DA-
3	BI_DB+
4	BI_DC+
5	BI_DC-
6	BI_DB-
7	BI_DD+
8	BI_DD-

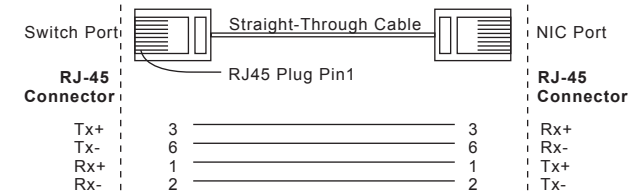


□ RJ45 (8-pin,MDI-X) Port Pinouts

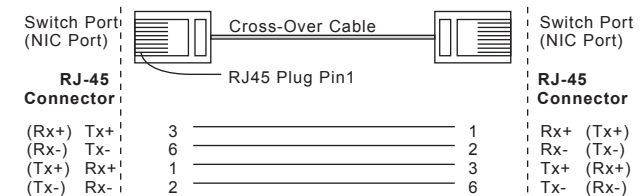
Pin	MDI-X
1	BI_DB+
2	BI_DB-
3	BI_DA+
4	BI_DD+
5	BI_DD-
6	BI_DA-
7	BI_DC+
8	BI_DC-



□ RJ45 (8-pin) to RJ45(8-Pin) Straight-Through Cable Wiring



□ RJ45 (8-pin) to RJ45(8-Pin) Cross-Over Cable Wiring



1000Base-X SFP Port Connection

