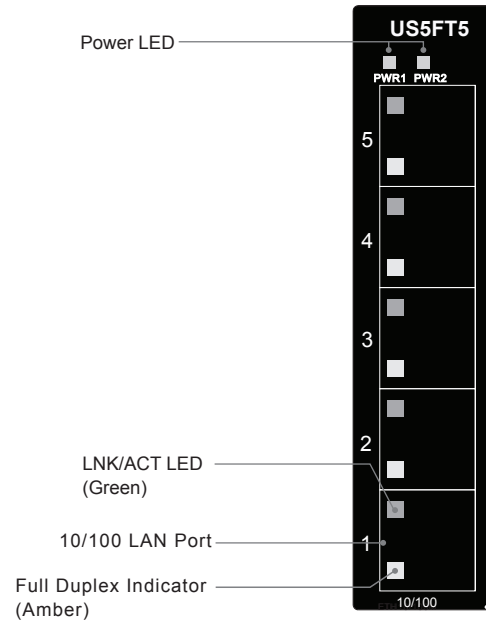


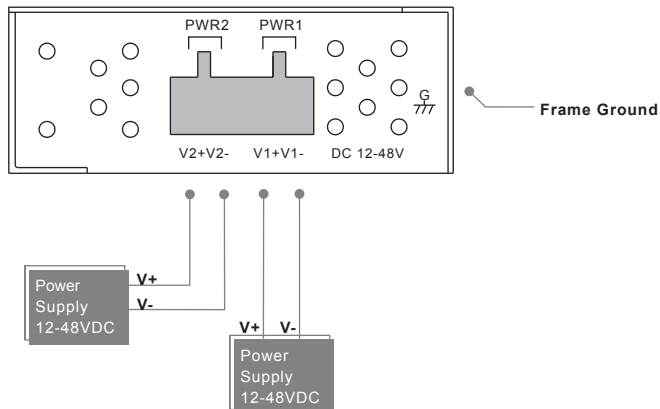
**QUICK INSTALLATION GUIDE**

HARDENED UNMANAGED SWITCH

**Front Panel**



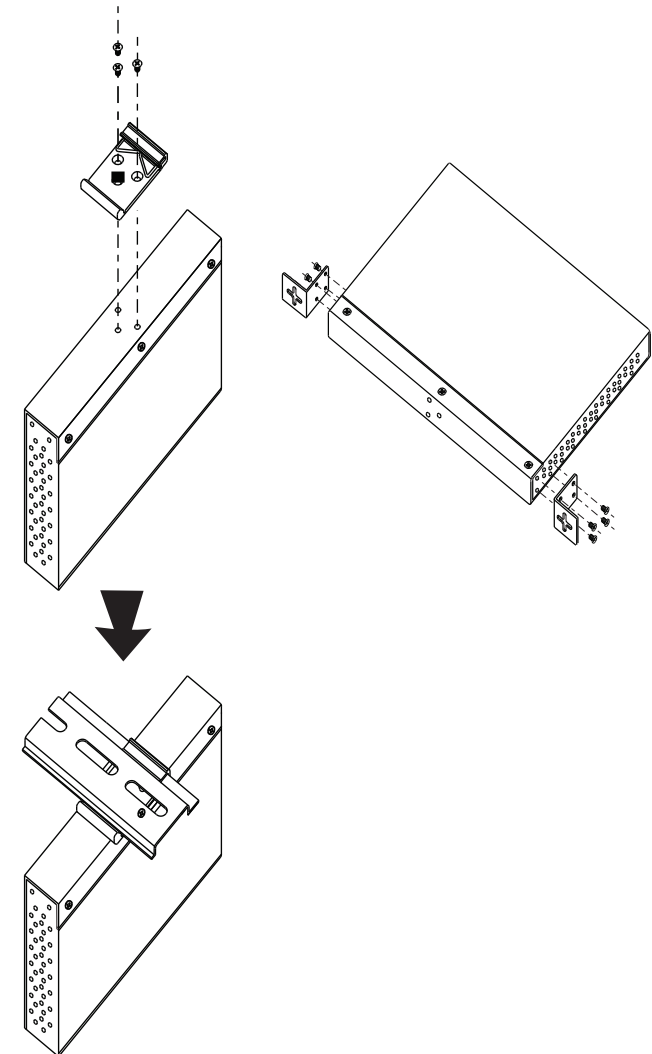
**Power Connection Guide**



**Installation**

• **DIN-Rail Install Step**

• **Wall-mounted Install Step**

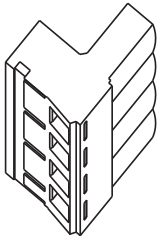


## QUICK INSTALLATION GUIDE

HARDENED UNMANAGED SWITCH

### Accessory

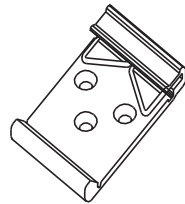
- ① 4-Pin Terminal block
- ② Dust Cover (RJ-45)
- ③ Screw (M3X3)



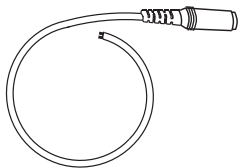
- ④ Wall-mounted kit



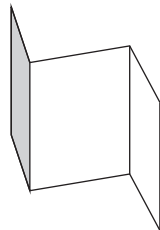
- ⑤ 25mm DIN-Rail kit



- ⑥ Power Cable with power jack



- ⑦ QIG



### Packinglist

Model name	Model Description	Accessory
<b>US5FT5</b>	Industrial 5-port mini type unmanaged Ethernet switch with 5x10/100 Base-TX	① X 1, ② X 5, ③ X 8, ④ X 2, ⑤ X 1, ⑥ X 1, ⑦ X 1

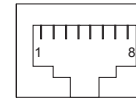
### Communication Connections

#### 10/100Base-TX Ethernet Port Connection

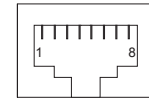
□ RJ45 (8-pin,MDI) Port Pinouts

□ RJ45 (8-pin,MDI-X) Port Pinouts

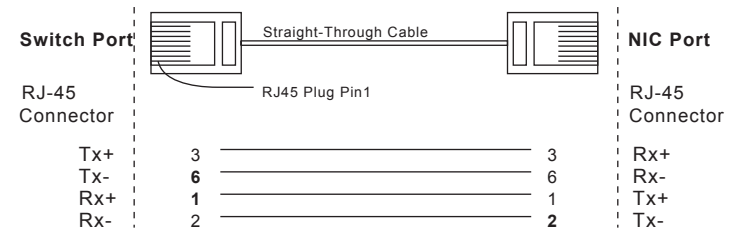
Pin	Single
1	Tx+
2	Tx-
3	Rx+
6	Rx-



Pin	Single
1	Rx+
2	Rx-
3	Tx+
6	Tx-



□ RJ45 (8-pin) to RJ45 (8-Pin) Straight-Through Cable Wiring



□ RJ45 (8-pin) to RJ45 (8-Pin) Cross-Over Cable Wiring

